

**PITT**  
COOKING



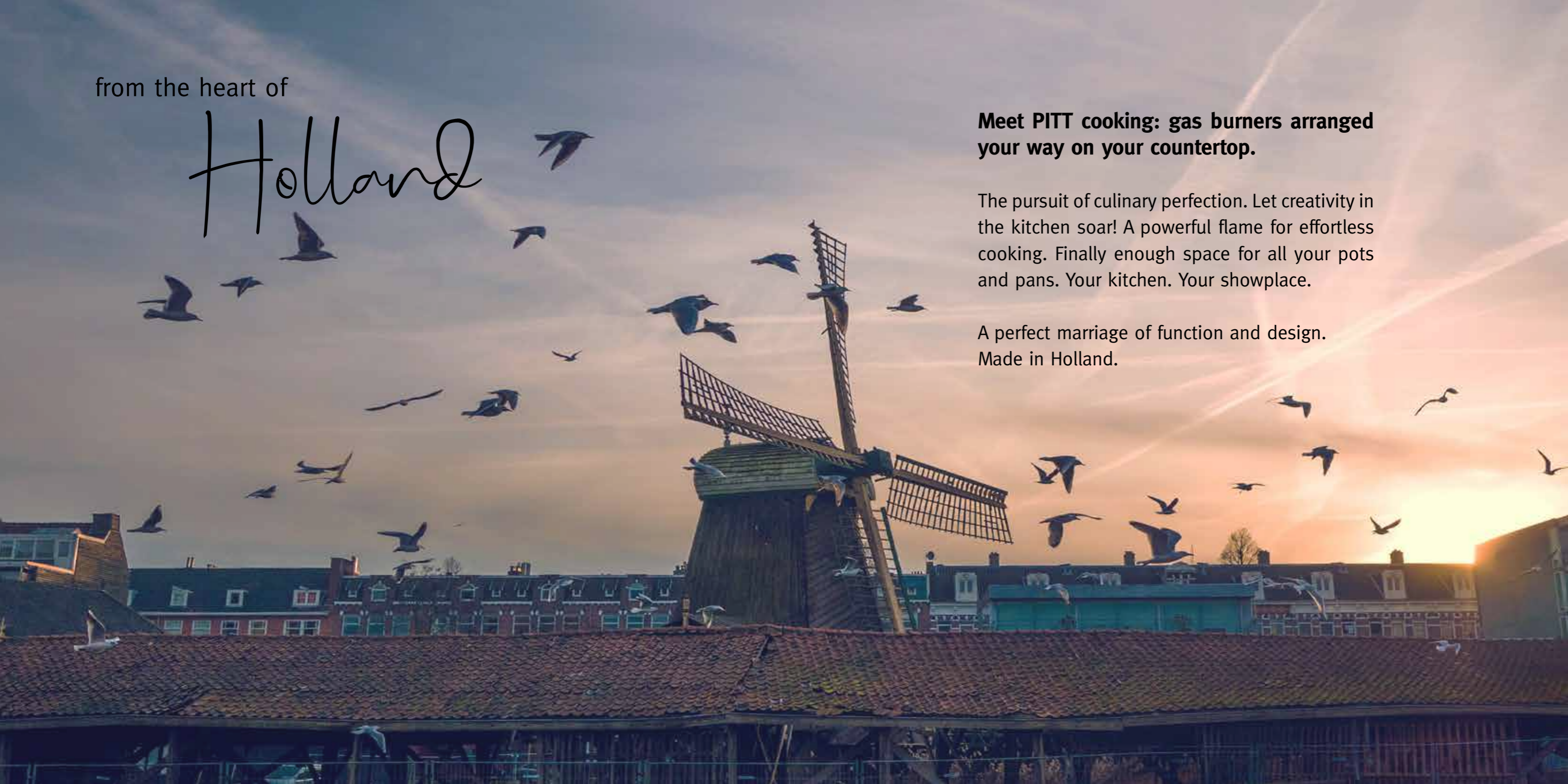
from the heart of

Holland

**Meet PITT cooking: gas burners arranged  
your way on your countertop.**

The pursuit of culinary perfection. Let creativity in  
the kitchen soar! A powerful flame for effortless  
cooking. Finally enough space for all your pots  
and pans. Your kitchen. Your showplace.

A perfect marriage of function and design.  
Made in Holland.





# made by hand

Every PITT cooking burner system is carefully made by hand in de Meern, a small village close to Amsterdam. Office, production facility and showroom are all together under one roof. The PITT cooking team is one family. A team dedicated to providing the finest quality products and service.



Project from Italy

# Index

## Product information

### MEET PITT COOKING

- **What is PITT cooking?** 12
- **Why choose PITT cooking?** 22

### ABOUT THE PITT COOKING SYSTEM

- **The burners**
  - The different types of burners 39
  - Simmer-/stir fry burner 40
  - Selection of material *Original, Professional & Black* 42
- **Control knobs**
  - Control knobs: Top Side 46
  - Control knobs: Front Side 48
- **Accessories**
  - Wok ring 52
- **Homeware**
  - PITT Pan 55

### ASSORTMENT

- **PITT cooking assortment**
  - Select your favorite model 64
  - Overview of assortment 65

- Inspiration 70
- Contact 72
- Sources 74
- Online 75

Throughout the entire book you will find a number of QR-codes. These provide links to excellent videos, additional information or a website. With an iPhone you can simply scan these with the camera. For other cell phones, you can download a QR-scanner in the App-store.



## Technical information

- **Assortment**
  - Technical information by model 78
- **The PITT cooking system**
  - The module 122
  - The burners 124
  - Burner functionality 126
  - Simmer-/stir fry burner 128
  - Wok ring 129
  - Operation 130
- **Preparation**
  - Requirements for countertop 132
  - Gas & Electric 133
  - Construction measurements 134
  - Cut-outs 139
  - Construction checklist 141
- **Installation**
  - Requirements 143
  - Installation instructions: Top Side 144
  - Installation instructions: Front Side 147
  - Support bar package 150
  - Changing gas nozzles 151
- Certifications 153
- How to order 154
- Conditions and warranty 155
- Contact 156
- Documentation 157



What is PITT cooking?

# Powerful gas burners directly installed onto your countertop.

- An integrated (gas) cooking system.
- Robust cast iron grates
- A range of burners: from simmer to stir fry, low flame to high flame
- Plenty of space between burners
- Suitable for your favorite countertop material
- Safe and certified
- Made by hand in the Netherlands

**PITT cooking is a cooking system whereby gas burners are installed directly into the countertop.**

Thanks to generous space between burners you will now have enough space for all your pots and pans. With a wide assortment of 20 different models there is something to suit everyone. Or you can combine different configurations to customize your ideal cooking setup.

PITT cooking has earned KIWA GASTEC certification and is therefore safe to install into virtually any countertop.









**Three types of burners**  
Page 37

**Efficient, powerful flame**  
Page 20

**Aluminum knob**  
*Also available for installation on the front (vertical) side of the countertop*  
Page 44-47

**Burners available in aluminum, brass and black**  
Page 40-41



Why choose PITT cooking?

## Flame control.

Back to the beginning of time, cooking with fire. Real cooking the way it was always meant to be. The pure joy of culinary creativity!

You will have infinite control over the flame. Air flow from above provides for superior burner performance: a responsive, powerful and efficient flame.



► Find your fire



Why choose PITT cooking?

# A masterpiece in the kitchen.

Thanks to its timeless look, PITT cooking looks great in any type of kitchen: from classic to country, from contemporary to designer. The black cast iron grates will complement your kitchen decor. And make your kitchen that much more striking.



Why choose PITT cooking?

## Plenty of space for all your cookware.

Finally enough space for all your pots and pans: with a minimum of 28 centimeters between burners PITT cooking provides an average of 8 centimeters more space between burners when compared with a traditional cooktop.

From now on, you will always have enough room to use all burners at once, even with several large diameter pans.









Why choose PITT cooking?

# Quality and safety.

PITT cooking has been granted KIWA GASTEC QA certification. This certification offers users certainty that their (gas) product complies with stringent requirements for quality, function and safety.

PITT cooking offers a full five year guarantee on the gas cooking system.

Why choose PITT cooking?

## Easy to clean.

Never again dread cleaning up the stove. Since there are no edges and crannies there is only a smooth countertop to clean. So PITT cooking provides easy cooking as well as easy clean up!



► Ease of cleaning





**Floating grates**  
The four “arms” offer any size pan a stable surface on which to rest. Made of the highest quality double enameled cast iron.

**Heat shield**  
Diffuses heat. Also serves as a catch tray.

**Burner components**  
Available in aluminum, brass (photo) and black.

**Silicone ring**  
Hermetically seals out moisture and dirt.



The burners

# From simmer to stir fry.



● **Small burner**

Minimum output: 0,3 kW  
Maximum output: 2 kW  
Circumference: ø230 mm  
Automatic ignition: ✓  
Flame protection: ✓



● **Medium burner**

Minimum output: 0,3 kW  
Maximum output: 3 kW  
Circumference: ø230 mm  
Automatic ignition: ✓  
Flame protection: ✓



● **Combined simmer/stir fry burner**

Minimum output: 0,2 kW  
Maximum output: 5 kW  
Circumference: ø270 mm  
Automatic ignition: ✓  
Flame protection: ✓

The burners

# Stir fry or simmer: one burner, one knob.

The combined simmer/stir fry burner is unique: high flame stir frying as well as simmering functions in a single burner. Use only the inner small ring to simmer or both rings to cook over a high flame. Both rings are controlled by the same knob.



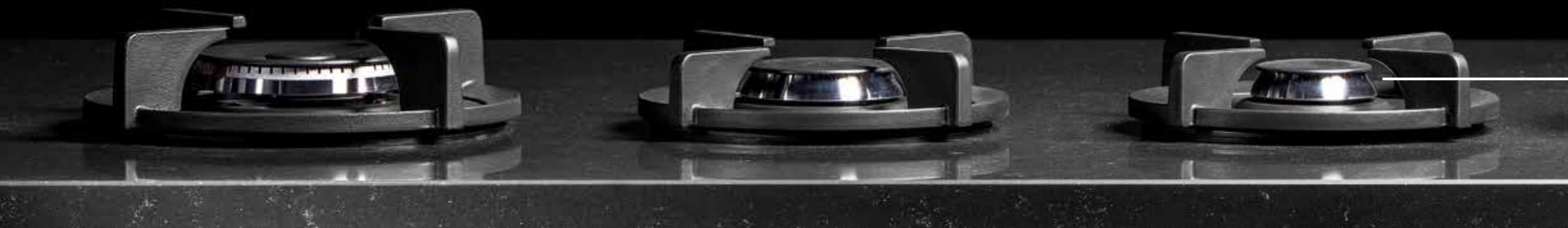
Burner off

Knob at half open position:  
high flame

Knob at full open position:  
low flame



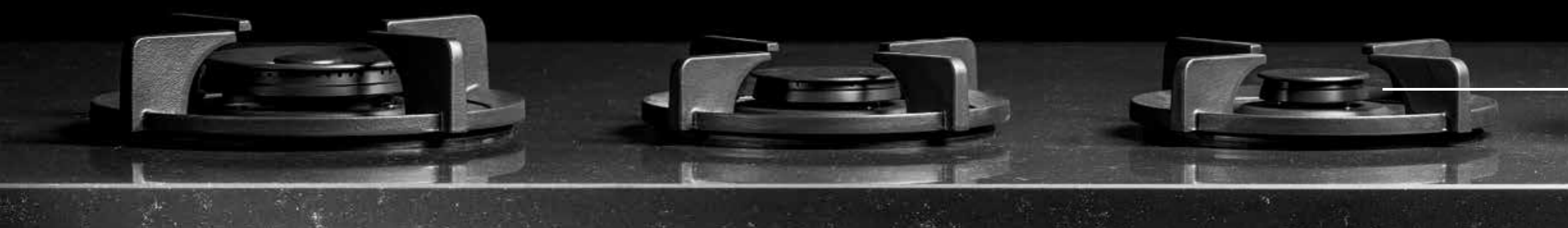
# Select your favorite material.



● **Original Edition**  
Burners of light aluminum.  
Always a classic.



● **Professional Edition**  
Burners of heavy brass. For those  
who wish to cook in style.



● **Black Edition**  
Black enameled brass burners.  
Handsome and refined.





Control knobs

## Top Side

● PITT cooking models with Top Side controls have the control knobs installed on the surface of the countertop.

- Aluminum knob
- Minimalist design
- Soft touch surface
- Silky feel





Control knobs

## Front Side

- PITT cooking models with Front Side controls have the knobs installed on the vertical front side of the countertop itself or on the cabinet panel.
  - Aluminum knob
  - More space on the countertop
  - Ergonomic design: optimized, enhanced grip



Accessories

## Stir frying the way it's really meant to be.

The PITT wok ring provides ideal stir fry effectiveness. Inspired by Chinese wok technique, its three “arms” maintain the stability of the wok at all times during use. The precisely calculated height and rounding of the ring assure superior flame distribution that heats the wok just right. Efficient and powerful cooking at high heat.

The wok ring is designed specifically for use on the combined simmer/stir fry burner.



Homeware

## PITT Pan.

A handsome, robust Dutch oven made of enameled cast iron with a built in thermometer. Extraordinary: the pan is made of 100% recycled Dutch iron such as train rails and old bridges.

**Select the right temperature to poach (65°C), heat (75°C), braise (80°C), steam, smoke, or cook (100°C) or pan fry (110°C).**

- Extra thick bottom: perfect heat distribution
- Suitable for use with all heat sources and oven safe
- Diameter: 28 centimeters



100%  
recycled  
material

from  
*train rails*  
to cookware





the perfect *balance*

“The PITT Pan is the perfect balance between gorgeous design and top quality. The fact that it is made in the Netherlands and made of 100% recycled material makes this product perfect. I want nothing else in my kitchen.”

— Sidney Schutte  
*2 star Michelin Chef*



Model: Capital, Professional Edition





Model: Colo, Professional Edition





# Select your ideal configuration.

PITT cooking offers an assortment of 20 different configurations. All of these can also be combined with one another. Your ideal custom cooking setup to suit your personal cooking style and the space available in your kitchen.

## How do I select the right model?

### Step 1: Decide on the number of burners desired

Thanks to the generous space available between burners, you can use them all at once at any time.

### Step 2: Choose your ideal configuration (or combine)

Models are composed of three different burner sizes: small, medium and simmer/stir fry.

### Step 3: Select your favorite burner material

- Original (aluminum burners)
- Professional (brass burners)
- Black (black burners)

### Step 4: Select the position of the control knobs

- Top Side (on the countertop)
- Front Side (on the vertical front of countertop or cabinet panel)



Page 78

**Model** Akan  
**Number of burners** 1  
**Type of burners** 1x Small  
**Min. cabinet width** 300 mm



Page 80

**Model** Altar  
**Number of burners** 1  
**Type of burners** 1x Medium  
**Min. cabinet width** 300 mm



Page 82

**Model** Azuma  
**Number of burners** 1  
**Type of burners** 1x Simmer/Stir Fry  
**Min. cabinet width** 300 mm



Page 84

**Model** Air  
**Number of burners** 1  
**Type of burners** 1x Simmer/Stir Fry  
**Min. cabinet width** 300 mm



Page 86

**Model** Baluran  
**Number of burners** 2  
**Type of burners** 1x Medium, 1x Simmer/Stir Fry  
**Min. cabinet width** 600 mm



Page 88

**Model** Bennett  
**Number of burners** 2  
**Type of burners** 1x Small, 1x Simmer/Stir Fry  
**Min. cabinet width** 600 mm



Page 90

**Model** Baula  
**Number of burners** 2  
**Type of burners** 1x Medium, 1x Simmer/Stir Fry  
**Min. cabinet width** 600 mm



Page 92

**Model** Bely  
**Number of burners** 2  
**Type of burners** 1x Small, 1x Simmer/Stir Fry  
**Min. cabinet width** 600 mm



Page 94

**Model** Bromo  
**Number of burners** 2  
**Type of burners** 2x Simmer/Stir Fry  
**Min. cabinet width** 700 mm



Page 118

Only available with Front Side knobs

**Model** Bandai  
**Number of burners** 2  
**Type of burners** 1x Small, 1x Medium  
**Min. cabinet width** 500 mm



Page 96

**Model** Cima  
**Number of burners** 3  
**Type of burners** 1x Small, 1x Medium, 1x Simmer/Stir Fry  
**Min. cabinet width** 600 mm



Page 98

**Model** Capital  
**Number of burners** 3  
**Type of burners** 1x Small, 1x Medium, 1x Simmer/Stir Fry  
**Min. cabinet width** 600 mm



Page 108

**Model** Dempo  
**Number of burners** 4  
**Type of burners** 1x Small, 1x Medium, 2x Simmer/Stir Fry  
**Min. cabinet width** 900 mm



Page 110

**Model** Elbrus  
**Number of burners** 5  
**Type of burners** 2x Small, 2x Medium, 1x Simmer/Stir Fry  
**Min. cabinet width** 900 mm



Pag. 100

**Model** Cusin  
**Number of burners** 3  
**Type of burners** 1x Medium, 2x Simmer/Stir Fry  
**Min. cabinet width** 900 mm



Page 102

**Model** Colo  
**Number of burners** 3  
**Type of burners** 1x Small, 2x Simmer/Stir Fry  
**Min. cabinet width** 900 mm



Page 112

**Model** Enep  
**Number of burners** 5  
**Type of burners** 2x Small, 2x Medium, 1x Simmer/Stir Fry  
**Min. cabinet width** 900 mm



Page 114

**Model** Ebeko  
**Number of burners** 5  
**Type of burners** 2x Small, 2x Medium, 1x Simmer/Stir Fry  
**Min. cabinet width** 900 mm



Page 104

**Model** Danau  
**Number of burners** 4  
**Type of burners** 1x Small, 1x Medium, 2x Simmer/Stir Fry  
**Min. cabinet width** 1200 mm



Page 106

**Model** Drum  
**Number of burners** 4  
**Type of burners** 1x Small, 1x Medium, 2x Simmer/Stir Fry  
**Min. cabinet width** 1200 mm



Page 116

**Model** Foessa  
**Number of burners** 6  
**Type of burners** 2x Small, 2x Medium, 2x Simmer/Stir Fry  
**Min. cabinet width** 1200 mm

**Please note:**

- All models are available in Original, Professional or Black and with Top Side or Front Side knobs.



PITT cooking Assortment

- All models can be combined with one another.
- Each model with a Simmer/Stir Fry burner is provided with a separate wok ring.





Inspiration




# The stuff that dreams are made of.

We at PITT cooking take great pride in being a part of the dream.



On PITT cooking social media channels you will find beautiful examples have been shared of installations completed with pride.

Get inspired!

-  [instagram.com/pittcooking](https://www.instagram.com/pittcooking)
-  [facebook.com/pittcooking](https://www.facebook.com/pittcooking)
-  [pinterest.com/pittcooking](https://www.pinterest.com/pittcooking)





Contact

## For questions or advice.

Do you have questions or need information that has not been addressed in this material? Feel free to contact us. We're here to help!

- ✉ [info@pittcooking.com](mailto:info@pittcooking.com)
- ☎ +31 (0)88 088 70 70
- 🌐 [www.pittcooking.com](http://www.pittcooking.com)



- 📍 **PITT cooking**  
Damzigt 54  
3454 PS De Meern  
The Netherlands

# Sources

Page	Reference
Cover	Krautkopf
8	Manola van Leeuwe/Fotografie Plus
14-15	Spekken Interieur
16-17	Fred Constant
18-19	Kitchen Concepts
20-21	Chef's Line
24-25	<i>From left to right:</i> Fred Constant, LOFT Interieurs - Wave Design in collaboration with Manola van Leeuwe/Fotografie Plus, Houtmerk, Vipp, Sense Keukens, Lume, Krautkopf, Kitchen Concepts, Vipp, NOMAA, Kolenik, Cesar
26-27	Florense F53
32-33	Dutch Kitchen Design
36-37	JP Walker
40-41	Krautkopf
44-45	The Living Kitchen by Paul van de Kooi
50-51	The Living Kitchen by Paul van de Kooi
60-61	Krautkopf
62-63	Koak Design
68-69	Piet Boon
70-71	<i>From left to right:</i> Koak Design, Cesar, Moervast/YellowEyes, Dada, Culimaat, Molitli, Florense 53, Van den Kommer, Van den Kommer, Boffi, Van Os, Fred Constant, Jacob Interior, Fendi, i29 interior architects, Dirk Cousaert
76-77	The Living Kitchen by Paul van de Kooi

All remaining images are the property of PITT cooking Netherlands and photography is by Victor van Leeuwen of LevendEcht.

# Online resources

## — About PITT cooking



## — Product



## — Assortment



## — Inspiration/projects



## — Social media





# Contents

Technical information



<b>— Assortment</b>		
1 burner	Akan	78
1 burner	Altar	80
1 burner	Azuma	82
1 burner	Air	84
2 burners	Baluran	86
2 burners	Bennett	88
2 burners	Baula	90
2 burners	Bely	92
2 burners	Bromo	94
3 burners	Cima	96
3 burners	Capital	98
3 burners	Cusin	100
3 burners	Colo	102
4 burners	Danau	104
4 burners	Drum	106
4 burners	Dempo	108
5 burners	Elbrus	110
5 burners	Enep	112
5 burners	Ebeke	114
6 burners	Foessa	116
2 burners	Bandai	118
Accessories	Wok ring	119
Accessories	Support bar	119
Homeware	PITT Pan	119
<b>— About the system</b>		
	The module	122
	The burners	124
	Functioning of the burners	126
	Simmer/Stir Fry burner	128
	Wok ring	129
	Knobs: position	130
	Knobs: dimensions	131
<b>— Preparation</b>		
	Countertop requirements	132
	Gas & Electric	133
	Construction measurements	
	Top Side	134
	Front Side	136
	Cutouts	139
	Construction checklist	141
<b>— Installation</b>		
	Requirements	143
	Installation instructions	
	Top Side	144
	Front Side	147
	Support bars	150
	Changing orifices	151
	Certifications	153
	How to order	154
	General conditions and guarantee	155
	Contact information	156
	Downloads	157





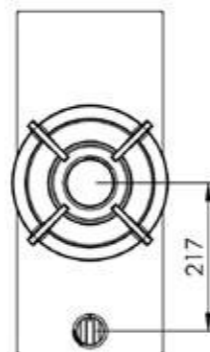
## Akan Top Side



Model name	Akan (Top Side)
Output	1x 2 kW
Measurements of unit	L: 503 W: 213 H: 89 mm
Total height	119 mm (incl. supports)
Min. cabinet width	300 mm
Min. counter depth	600 mm
Countertop thickness	4 - 35 mm
Gas	Natural Gas / LPG (Propane)
Burner material	Original
	Professional
	Black

### Top view | Akan Top Side

Complete technical documentation available  
via QR-code located above, left



## Akan Front Side



Model name	Akan (Front Side)
Output	1x 2 kW
Measurements of unit	L: 503 W: 213 H: 134 mm
Total height	164 mm (incl. supports)
Min. cabinet width	300 mm
Min. counter depth	650 mm
Countertop thickness	4 - 25 mm
Gas	Natural Gas / LPG (Propane)
Burner material	Original
	Professional
	Black

### Top view | Akan Front Side

Complete technical documentation available  
via QR-code located above, left





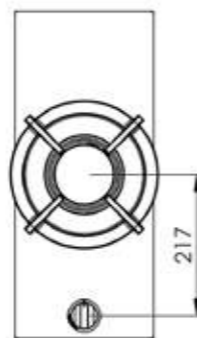
## Altar Top Side



Model name	Altar (Top Side)
Output	1x 3 kW
Measurements of unit	L: 503 W: 213 H: 89 mm
Total height	119 mm (incl. supports)
Min. cabinet width	300 mm
Min. counter thickness	600 mm
Countertop thickness	4 - 35 mm
Gas	Natural Gas / LPG (Propane)
Burner material	Original
	Professional
	Black

### Top view | Altar Top Side

Complete technical documentation available  
via QR-code located above, left



## Altar Front Side



Model name	Altar (Front Side)
Output	1x 3 kW
Measurements of unit	L: 503 W: 213 H: 134 mm
Total height	164 mm (incl. supports)
Min. cabinet width	300 mm
Min. counter depth	650 mm
Countertop thickness	4 - 25 mm
Gas	Natural Gas / LPG (Propane)
Burner material	Original
	Professional
	Black

### Top view | Altar Front Side

Complete technical documentation available  
via QR-code located above, left





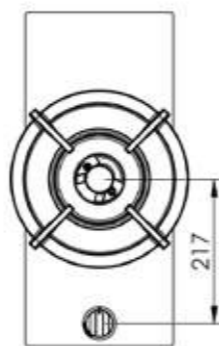
## Azuma Top Side



Model name	Azuma (Top Side)
Output	1x 0,2-5 kW
Measurements of unit	L: 503 W: 213 H: 89 mm
Total height	119 mm (incl. supports)
Min. cabinet width	300 mm
Min. counter depth	600 mm
Countertop thickness	4 - 35 mm
Gas	Natural Gas / LPG (Propane)
Burner material	Original
	Professional
	Black

### Top view | Azuma Top Side

Complete technical documentation available  
via QR-code located above, left



## Azuma Front Side



Model name	Azuma (Front Side)
Output	1x 0,2-5 kW
Measurements unit	L: 503 W: 213 H: 134 mm
Total height	164 mm (incl. supports)
Min. cabinet width	300 mm
Min. counter depth	650 mm
Countertop thickness	4 - 25 mm
Gas	Natural Gas / LPG (Propane)
Burner material	Original
	Professional
	Black

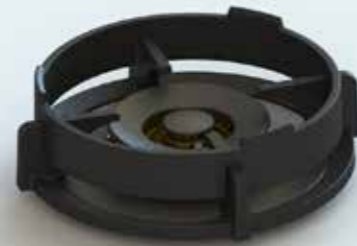
### Top view | Azuma Front Side

Complete technical documentation available  
via QR-code located above, left





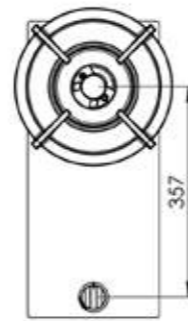
## Air Top Side



Model name	Air (Top Side)
Output	1x 0,2-5 kW
Measurements unit	L: 503 W: 213 H: 89 mm
Total height	119 mm (incl. supports)
Min. cabinet width	300 mm
Min. counter depth	600 mm
Countertop thickness	4 - 35 mm
Gas	Natural Gas / LPG (Propane)
Burner material	Original
	Professional
	Black

### Top view | Air Top Side

Complete technical documentation available  
via QR-code located above, left



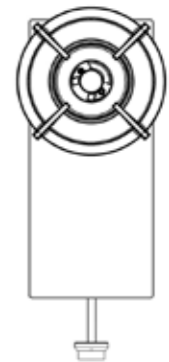
## Air Front Side



Model name	Air (Front Side)
Output	1x 0,2-5 kW
Measurements of unit	L: 503 W: 213 H: 134 mm
Total height	164 mm (incl. supports)
Min. cabinet width	300 mm
Min. counter depth	650 mm
Countertop thickness	4 - 25 mm
Gas	Natural Gas / LPG (Propane)
Burner material	Original
	Professional
	Black

### Top view | Air Front Side

Complete technical documentation available  
via QR-code located above, left





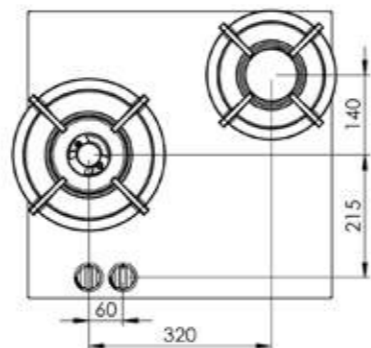
## Baluran Top Side



Model name	Baluran (Top Side)
Output	1x 3 kW, 1x 0,2-5 kW
Measurements of unit	L: 503 W: 533 H: 89 mm
Total height	119 mm (incl. supports)
Min. cabinet width	600 mm
Min. counter depth	600 mm
Countertop thickness	4 - 35 mm
Gas	Natural Gas / LPG (propane)
Burner material	Original
	Professional
	Black

### Top view | Baluran Top Side

Complete technical documentation available  
via QR-code located above, left



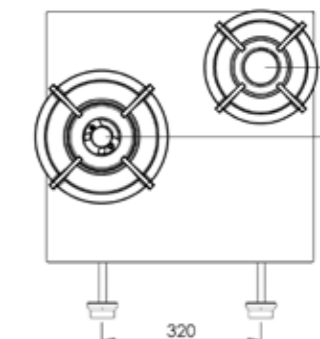
## Baluran Front Side



Model name	Baluran (Front Side)
Output	1x 3 kW, 1x 0,2-5 kW
Measurements of unit	L: 503 W: 533 H: 134 mm
Total height	164 mm (incl. supports)
Min. cabinet width	600 mm
Min. counter depth	650 mm
Countertop thickness	4 - 25 mm
Gas	Natural gas / LPG (Propane)
Burner material	Original
	Professional
	Black

### Top view | Baluran Front Side

Complete technical documentation available  
via QR-code located above, left





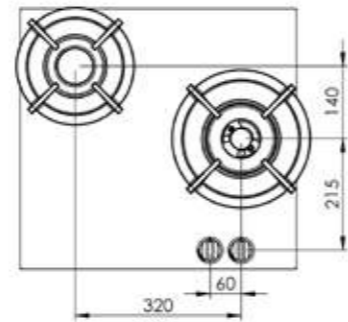
## Bennett Top Side



Model name	Bennett (Top Side)
Output	1x 2 kW, 1x 0,2-5 kW
Measurements of unit	L: 503 W: 533 H: 89 mm
Total height	119 mm (incl. support)
Min. cabinet width	600 mm
Min. counter depth	600 mm
Countertop thickness	4 - 35 mm
Gas	Natural Gas / LPG (Propane)
Burner material	Original
	Professional
	Black

### Top view | Bennett Top Side

Complete technical documentation available  
via QR-code located above, left



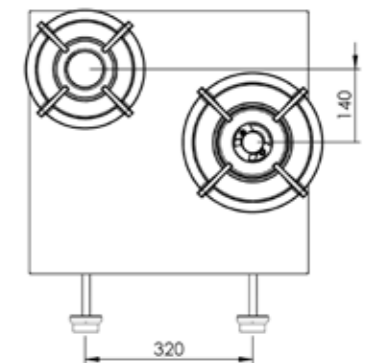
## Bennett Front Side



Model name	Bennett (Front Side)
Output	1x 2 kW, 1x 0,2-5 kW
Measurements of unit	L: 503 W: 533 H: 134 mm
Total height	164 mm (incl. supports)
Min. cabinet width	600 mm
Min. counter depth	650 mm
Countertop thickness	4 - 25 mm
Gas	Natural Gas / LPG (Propane)
Burner material	Original
	Professional
	Black

### Top view | Bennett Front Side

Complete technical documentation available  
via QR-code located above, left





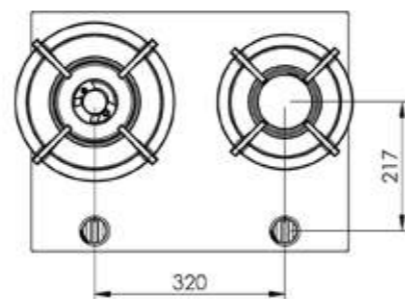
## Baula Top Side



Model name	Baula (Top Side)
Output	1x 3 kW, 1x 0,2-5 kW
Measurements of unit	L: 403 W: 533 H: 89 mm
Total height	119 mm (incl. supports)
Min. cabinet width	600 mm
Min. counter depth	600 mm
Countertop thickness	4 - 35 mm
Gas	Natural Gas / LPG (Propane)
Burner material	Original
	Professional
	Black

### Top view | Baula Top Side

Complete technical documentation available  
via QR-code located above, left



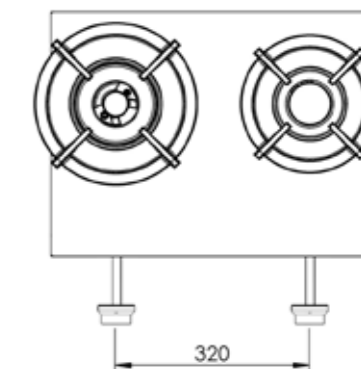
## Baula Front Side



Model name	Baula (Front Side)
Output	1x 3 kW, 1x 0,2-5 kW
Measurements of unit	L: 403 W: 533 H: 134 mm
Total height	164 mm (incl. supports)
Min. cabinet width	600 mm
Min. counter depth	650 mm
Countertop thickness	4 - 25 mm
Gas	Natural Gas / LPG (Propane)
Burner material	Original
	Professional
	Black

### Top view | Baula Front Side

Complete technical documentation available  
via QR-code located above, left





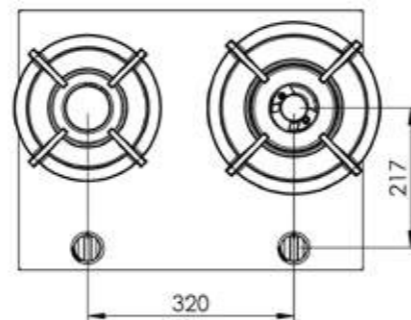
## Bely Top Side



Model name	Bely (Top Side)
Output	1x 2 kW, 1x 0,2-5 kW
Measurements of unit	L: 403 W: 533 H: 89 mm
Total height	119 mm (incl. supports)
Min. cabinet width	600 mm
Min. counter depth	600 mm
Countertop thickness	4 - 35 mm
Gas	Natural Gas / LPG (Propane)
Burner material	Original
	Professional
	Black

### Top view | Bely Top Side

Complete technical documentation available  
via QR-code located above, left



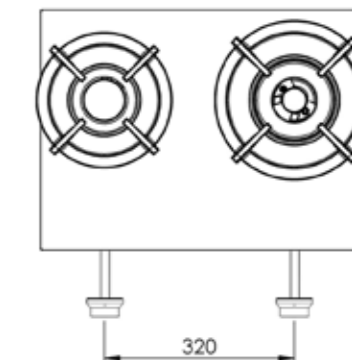
## Bely Front Side



Model name	Bely (Front Side)
Output	1x 2 kW, 1x 0,2-5 kW
Measurements of unit	L: 403 W: 533 H: 134 mm
Total height	164 mm (incl. supports)
Min. cabinet width	600 mm
Min. counter depth	650 mm
Countertop thickness	4 - 25 mm
Gas	Natural Gas / LPG (Propane)
Burner material	Original
	Professional
	Black

### Top view | Bely Front Side

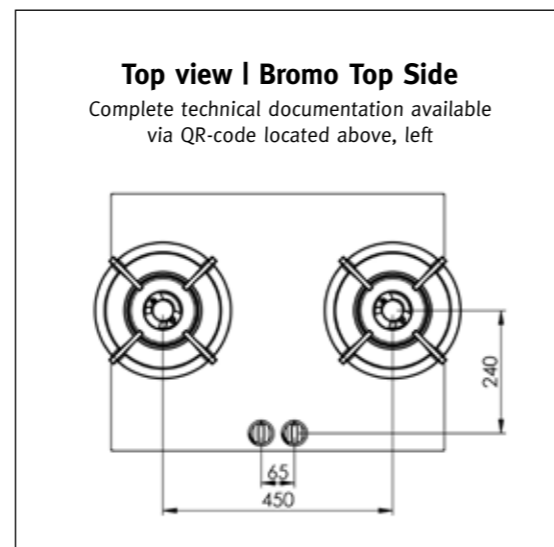
Complete technical documentation available  
via QR-code located above, left



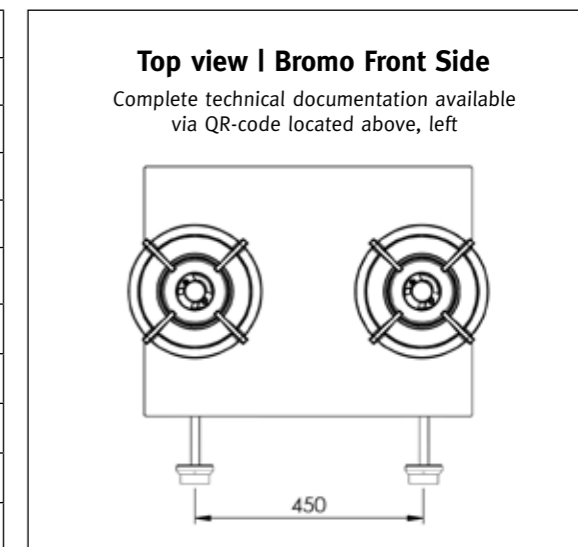




Model name	Bromo (Top Side)
Output	2x 0,2-5 kW
Measurements of unit	L: 503 W: 653 H: 89 mm
Total height	119 mm (incl. supports)
Min. cabinet width	700 mm
Min. counter depth	600 mm
Countertop thickness	4 - 35 mm
Gas	Natural Gas / LPG (Propane)
Burner material	Original
	Professional
	Black

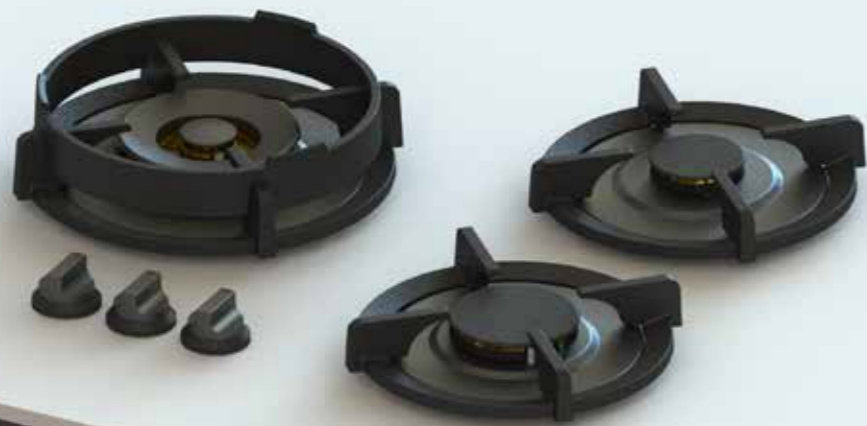


Model name	Bromo (Front Side)
Output	2x 0,2-5 kW
Measurements of unit	L: 503 W: 653 H: 134 mm
Total height	164 mm (incl. supports)
Min. cabinet width	700 mm
Min. counter depth	650 mm
Countertop thickness	4 - 25 mm
Gas	Natural Gas / LPG (Propane)
Burner material	Original
	Professional
	Black





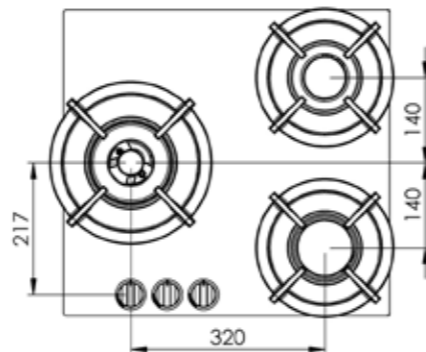
## Cima Top Side



Model name	Cima (Top Side)
Output	1x 2 kW, 1x 3 kW, 1x 0,2-5 kW
Measurements of unit	L: 503 W: 533 H: 89 mm
Total height	119 mm (incl. supports)
Min. cabinet width	600 mm
Min. counter depth	600 mm
Countertop thickness	4 - 35 mm
Gas	Natural Gas / LPG (Propane)
Burner material	Original Professional Black

### Top view | Cima Top Side

Complete technical documentation available  
via QR-code located above, left



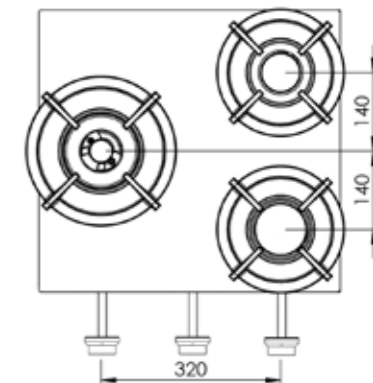
## Cima Front Side



Model name	Cima (Front Side)
Output	1x 2 kW, 1x 3 kW, 1x 0,2-5 kW
Measurements of unit	L: 503 W: 533 H: 134 mm
Total height	164 mm (incl. supports)
Min. cabinet width	600 mm
Min. counter depth	650 mm
Countertop thickness	4 - 25 mm
Gas	Natural Gas / LPG (Propane)
Burner material	Original Professional Black

### Top view | Cima Front Side

Complete technical documentation available  
via QR-code located above, left





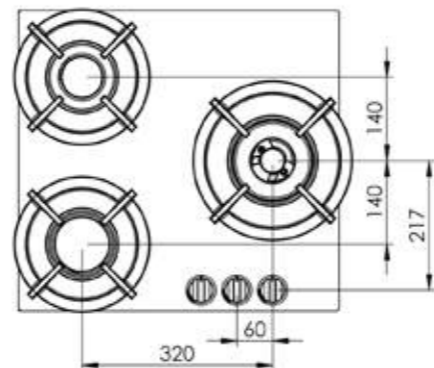
## Capital Top Side



Model name	Capital (Top Side)
Output	1x 2 kW, 1x 3 kW, 1x 0,2-5 kW
Measurements of unit	L: 503 W: 533 H: 89 mm
Total height	119 mm (incl. supports)
Min. cabinet width	600 mm
Min. counter depth	600 mm
Countertop thickness	4 - 35 mm
Gas	Natural Gas / LPG (Propane)
Burner material	Original Professional Black

### Top view | Capital Top Side

Complete technical documentation available  
via QR-code located above, left



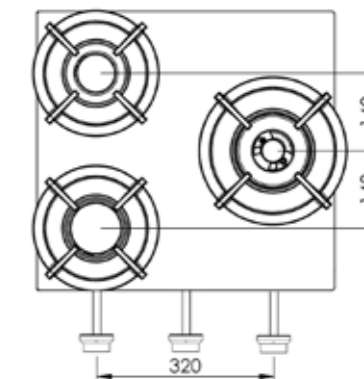
## Capital Front Side



Model name	Capital (Front Side)
Output	1x 2 kW, 1x 3 kW, 1x 0,2-5 kW
Measurements of unit	L: 503 W: 533 H: 134 mm
Total height	164 mm (incl. supports)
Min. cabinet width	600 mm
Min. counter depth	650 mm
Countertop thickness	4 - 25 mm
Gas	Natural Gas / LPG (Propane)
Burner material	Original Professional Black

### Top view | Capital Front Side

Complete technical documentation available  
via QR-code located above, left





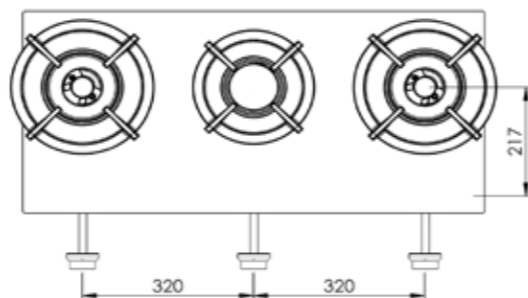
## Cusin Top Side



Model name	Cusin (Top Side)
Output	1x 3 kW, 2x 0,2-5 kW
Measurements of unit	L: 403 W: 853 H: 89 mm
Total height	119 mm (incl. supports)
Min. cabinet width	900 mm
Min. counter depth	600 mm
Countertop thickness	4 - 35 mm
Gas	Natural Gas / LPG (Propane)
Burner material	Original
	Professional
	Black

### Top view | Cusin Top Side

Complete technical documentation available  
via QR-code located above, left



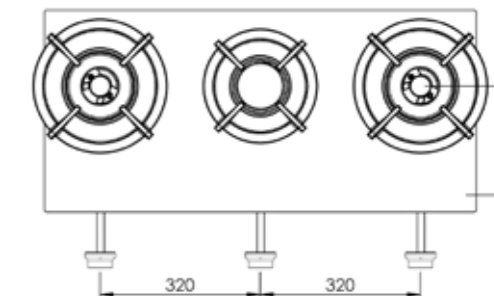
## Cusin Front Side



Model name	Cusin (Front Side)
Output	1x 3 kW, 2x 0,2-5 kW
Measurements of unit	L: 403 W: 853 H: 134 mm
Total height	164 mm (incl. supports)
Min. cabinet width	900 mm
Min. counter depth	650 mm
Countertop thickness	4 - 25 mm
Gas	Natural Gas / LPG (Propane)
Burner material	Original
	Professional
	Black

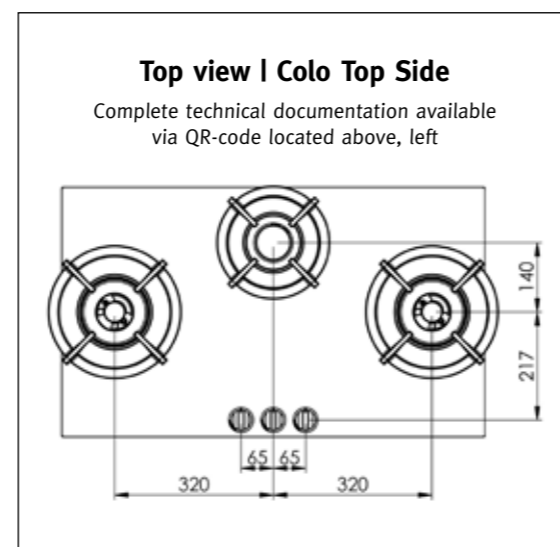
### Top view | Cusin Front Side

Complete technical documentation available  
via QR-code located above, left

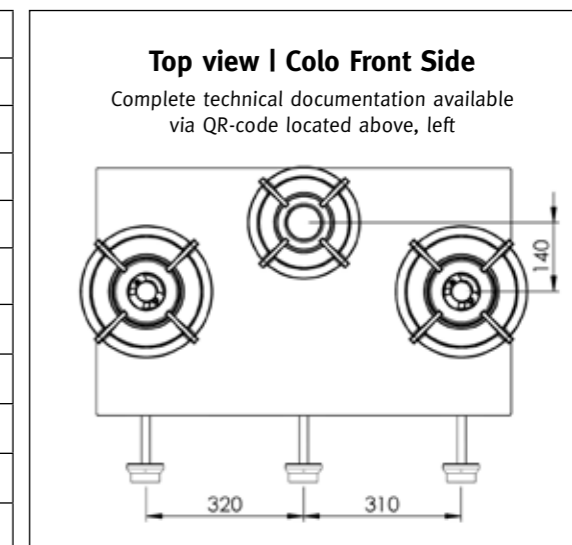




Model name	Colo (Top Side)
Output	1x 2 kW, 2x 0,2-5 kW
Measurements of unit	L: 503 W: 853 H: 89 mm
Total height	119 mm (incl. supports)
Min. cabinet width	900 mm
Min. counter depth	600 mm
Countertop thickness	4 - 35 mm
Gas	Natural Gas / LPG (Propane)
Burner material	Original Professional Black



Model name	Colo (Front Side)
Output	1x 2 kW, 2x 0,2-5 kW
Measurements of unit	L: 503 W: 853 H: 134 mm
Total height	164 mm (incl. supports)
Min. cabinet width	900 mm
Min. counter depth	650 mm
Countertop thickness	4 - 25 mm
Gas	Natural Gas / LPG (Propane)
Burner material	Original Professional Black





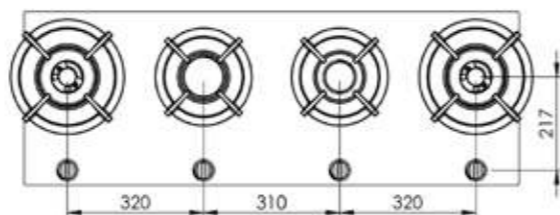
## Danau Top Side



Model name	Danau (Top Side)
Output	1x 2 kW, 1x 3 kW, 2x 0,2-5 kW
Measurements of unit	L: 403 W: 1157 H: 89 mm
Total height	119 mm (incl. supports)
Min. cabinet width	1200 mm
Min. counter depth	600 mm
Countertop thickness	4 - 35 mm
Gas	Natural Gas / LPG (Propane)
Burner material	Original Professional Black

### Top view | Danau Top Side

Complete technical documentation available  
via QR-code located above, left



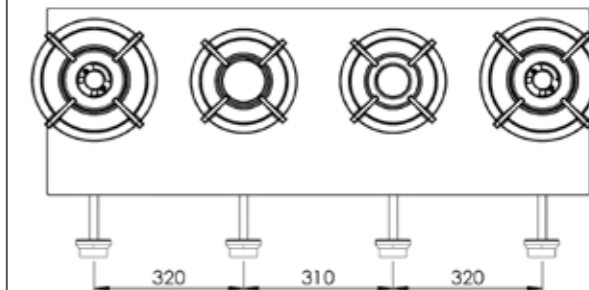
## Danau Front Side



Model name	Danau (Front Side)
Output	1x 2 kW, 1x 3 kW, 2x 0,2-5 kW
Measurements of unit	L: 403 W: 1157 H: 134 mm
Total height	164 mm (incl. supports)
Min. cabinet width	1200 mm
Min. counter depth	650 mm
Countertop thickness	4 - 25 mm
Gas	Natural Gas / LPG (Propane)
Burner material	Original Professional Black

### Top view | Danau Front Side

Complete technical documentation available  
via QR-code located above, left





## Drum Top Side



Model name	Drum (Top Side)
Output	1x 2 kW, 1x 3 kW, 2x 0,2-5 kW
Measurements of unit	L: 503 W: 1157 H: 89 mm
Total height	119 mm (incl. supports)
Min. cabinet width	1200 mm
Min. counter depth	600 mm
Countertop thickness	4 - 35 mm
Gas	Natural Gas / LPG (Propane)
Burner material	Original Professional Black



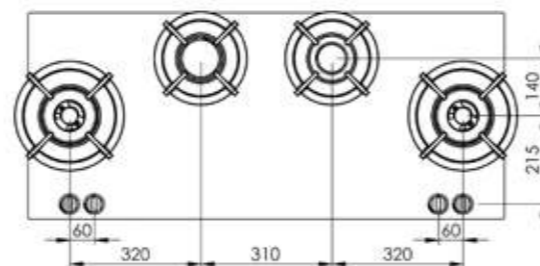
## Drum Front Side



Model name	Drum (Front Side)
Output	1x 2 kW, 1x 3 kW, 2x 0,2-5 kW
Measurements of unit	L: 503 B: 1157 H: 134 mm
Total height	164 mm (incl. supports)
Min. cabinet width	1200 mm
Min. counter depth	650 mm
Countertop thickness	4 - 25 mm
Gas	Natural Gas / LPG (Propane)
Burner material	Original Professional Black

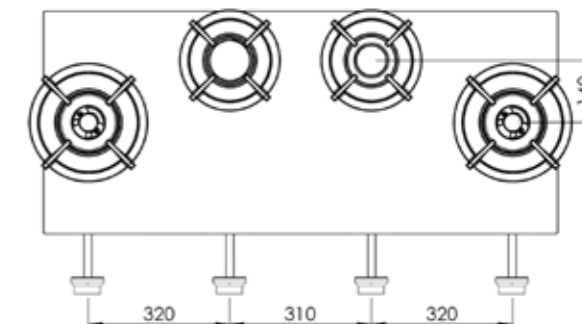
### Top view | Drum Top Side

Complete technical documentation available  
via QR-code located above, left



### Top view | Drum Front Side

Complete technical documentation available  
via QR-code located above, left

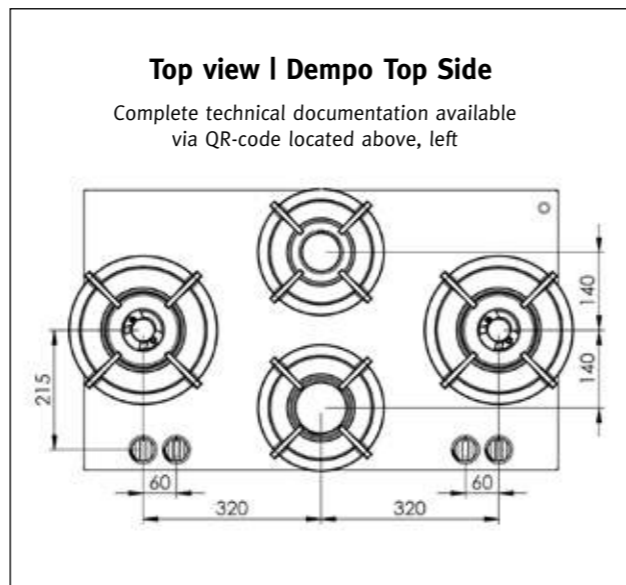




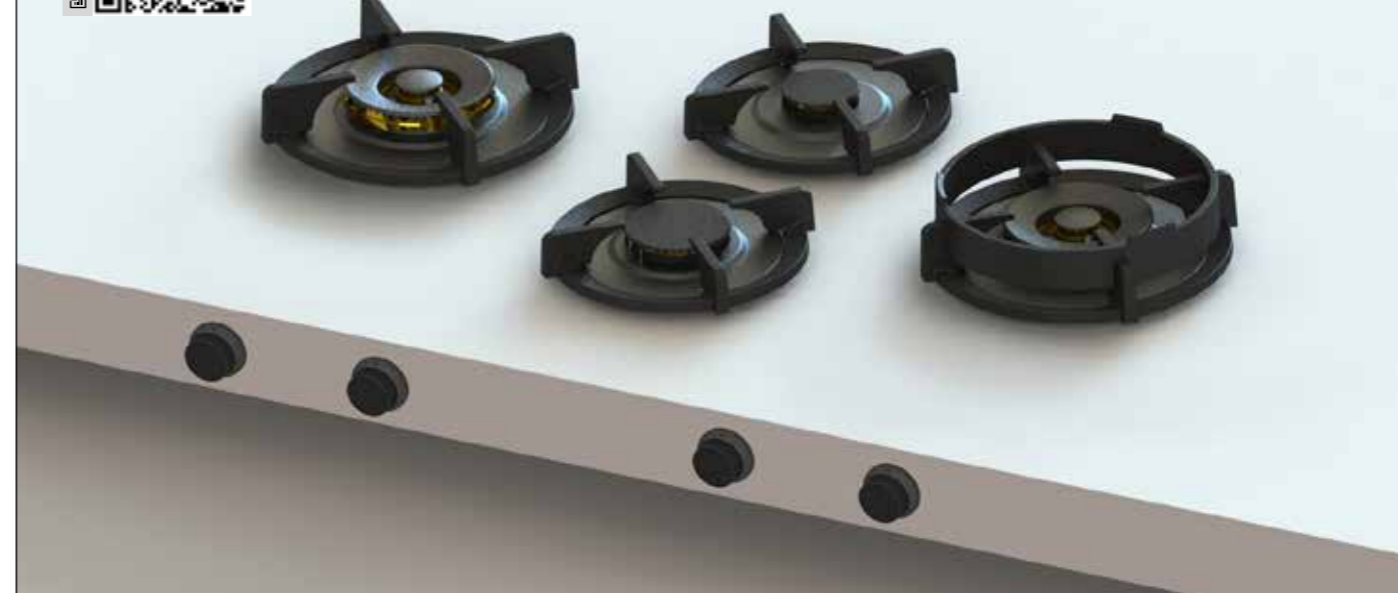
## Dempo Top Side



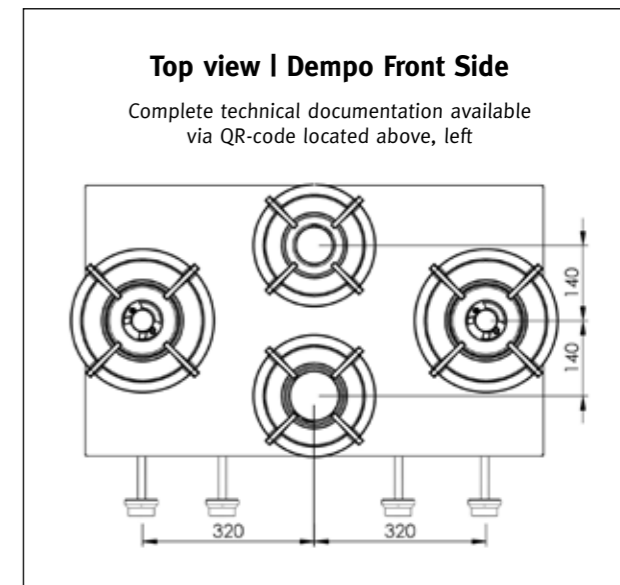
Model name	Dempo (Top Side)
Output	1x 2 kW, 1x 3 kW, 2x 0,2-5 kW
Measurements of unit	L: 503 B: 853 H: 89 mm
Total height	119 mm (incl. supports)
Min. cabinet width	900 mm
Min. counter depth	600 mm
Countertop thickness	4 - 35 mm
Gas	Natural Gas / LPG (Propane)
Burner material	Original Professional Black



## Dempo Front Side



Model name	Dempo (Front Side)
Output	1x 2 kW, 1x 3 kW, 2x 0,2-5 kW
Measurements of unit	L: 503 B: 853 H: 134 mm
Total height	164 mm (incl. supports)
Min. cabinet width	900 mm
Min. counter depth	650 mm
Countertop thickness	4 - 25 mm
Gas	Normal Gas / LPG (Propane)
Burner material	Original Professional Black







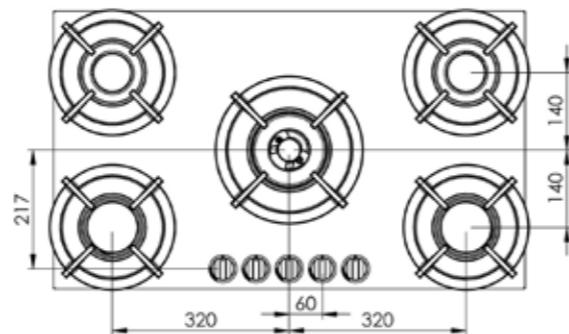
## Elbrus Top Side



Model name	Elbrus (Top Side)
Output	2x 2 kW, 2x 3 kW, 1x 0,2-5 kW
Measurements of unit	L: 503 B: 853 H: 89 mm
Total height	119 mm (incl. supports)
Min. cabinet width	900 mm
Min. counter depth	600 mm
Countertop thickness	4 - 35 mm
Gas	Natural Gas / LPG (Propane)
Burner material	Original Professional Black

### Top view | Elbrus Top Side

Complete technical documentation available  
via QR-code located above, left



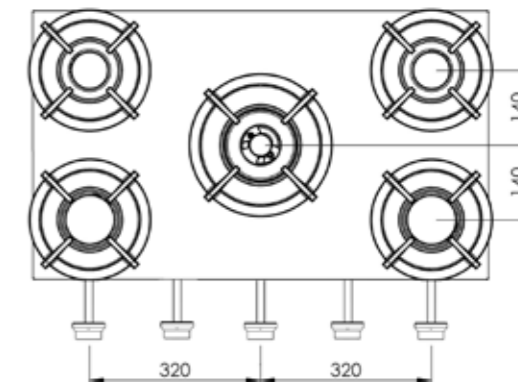
## Elbrus Front Side



Model name	Elbrus (Front Side)
Output	2x 2 kW, 2x 3 kW, 1x 0,2-5 kW
Measurements of unit	L: 503 B: 853 H: 134 mm
Total height	164 mm (incl. supports)
Min. cabinet width	900 mm
Min. counter depth	650 mm
Countertop thickness	4 - 25 mm
Gas	Natural Gas / LPG (Propane)
Burner material	Original Professional Black

### Top view | Elbrus Front Side

Complete technical documentation available  
via QR-code located above, left





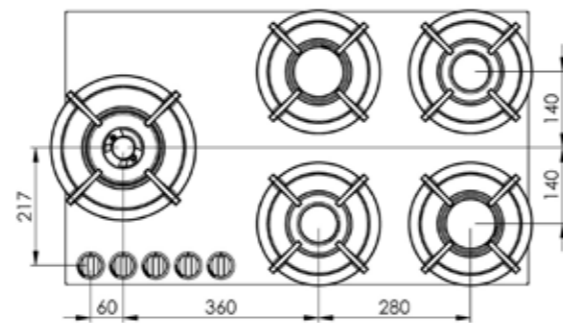
## Enep Top Side



Model name	Enep (Top Side)
Output	2x 2 kW, 2x 3 kW, 1x 0,2-5 kW
Measurements of unit	L: 503 B: 853 H: 89 mm
Total height	119 mm (incl. supports)
Min. cabinet width	900 mm
Min. counter depth	600 mm
Countertop thickness	4 - 35 mm
Gas	Natural Gas / LPG (Propane)
Burner material	Original Professional Black

### Top view | Enep Top Side

Complete technical documentation available  
via QR-code located above, left



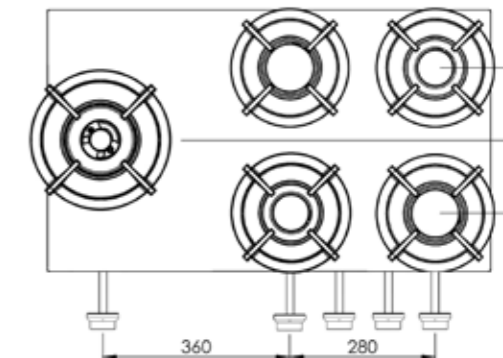
## Enep Front Side



Model name	Enep (Front Side)
Output	2x 2 kW, 2x 3 kW, 1x 0,2-5 kW
Measurements of unit	L: 503 B: 853 H: 134 mm
Total height	164 mm (incl. supports)
Min. cabinet width	900 mm
Min. counter depth	650 mm
Countertop thickness	4 - 25 mm
Gas	Natural Gas / LPG (Propane)
Burner material	Original Professional Black

### Top view | Enep Front Side

Complete technical documentation available  
via QR-code located above, left





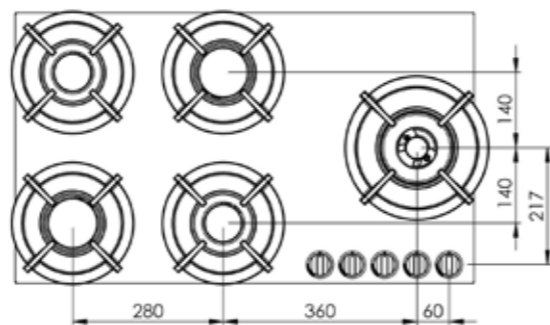
## Ebeko Top Side



Model name	Ebeko (Top Side)
Output	2x 2 kW, 2x 3 kW, 1x 0,2-5 kW
Measurements of unit	L: 503 B: 853 H: 89 mm
Total height	119 mm (incl. supports)
Min. cabinet width	900 mm
Min. counter depth	600 mm
Countertop thickness	4 - 35 mm
Gas	Natural Gas / LPG (Propane)
Burner material	Original Professional Black

### Top view | Ebeko Top Side

Complete technical documentation available  
via QR-code located above, left



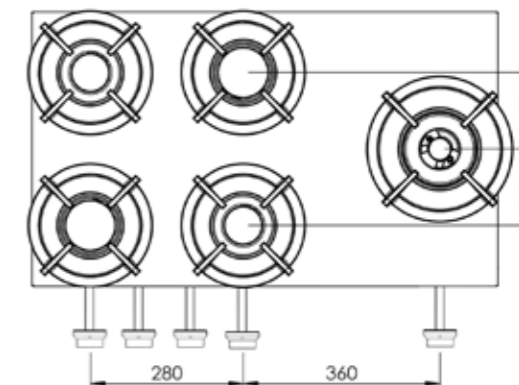
## Ebeko Front Side



Model name	Ebeko (Front Side)
Output	2x 2 kW, 2x 3 kW, 1x 0,2-5 kW
Measurements of unit	L: 503 B: 853 H: 134 mm
Total height	164 mm (incl. supports)
Min. cabinet width	900 mm
Min. counter depth	650 mm
Countertop thickness	4 - 25 mm
Gas	Natural Gas / LPG (Propane)
Burner material	Original Professional Black

### Top view | Ebeko Front Side

Complete technical documentation available  
via QR-code located above, left





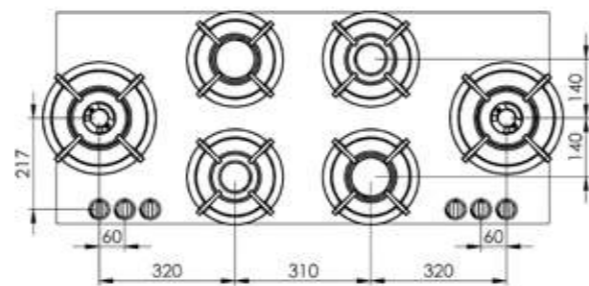
## Foessa Top Side



Model name	Foessa (Top Side)
Output	2x 2 kW, 2x 3 kW, 2x 0,2-5 kW
Measurements of unit	L: 503 B: 1157 H: 89 mm
Total height	119 mm (incl. supports)
Min. cabinet width	1200 mm
Min. counter depth	600 mm
Countertop thickness	4 - 35 mm
Gas	Natural Gas / LPG (Propane)
Burner material	Original Professional Black

### Top view | Foessa Top Side

Complete technical documentation available  
via QR-code located above, left



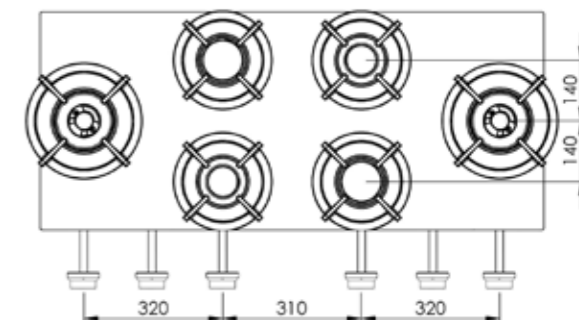
## Foessa Front Side



Model name	Foessa (Front Side)
Output	2x 2 kW, 2x 3 kW, 2x 0,2-5 kW
Measurements of unit	L: 503 B: 1157 H: 134 mm
Total height	164 mm (incl. supports)
Min. cabinet width	1200 mm
Min. counter depth	650 mm
Countertop thickness	4 - 25 mm
Gas	Natural Gas / LPG (Propane)
Burner material	Original Professional Black

### Top view | Foessa Front Side

Complete technical documentation available  
via QR-code located above, left



Technical doc.



Only available in Front Side

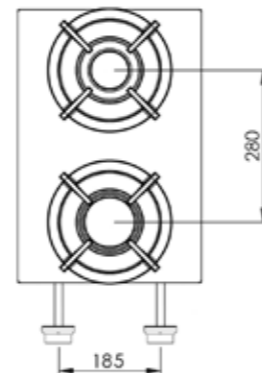
## Bandai Front Side



Model name	Bandai (Front Side)
Output	1x 2 kW, 1x 3 kW
Measurements of unit	L: 503 B: 433 H: 134 mm
Total height	164 mm (incl. supports)
Min. cabinet width	600 mm
Min. counter depth	650 mm
Countertop thickness	4 - 25 mm
Gas	Natural Gas / LPG (Propane)
Burner material	Original Professional Black

### Top view | Bandai Front Side

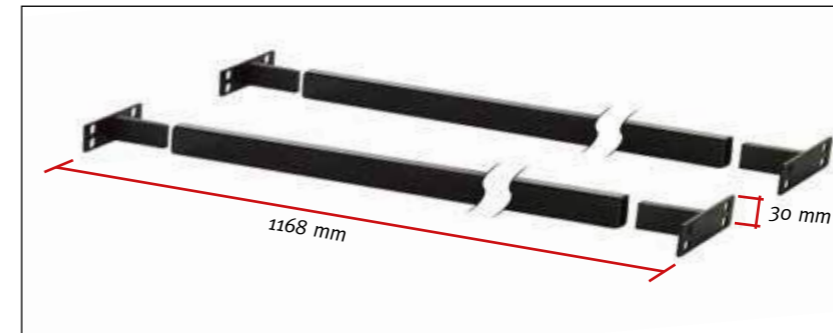
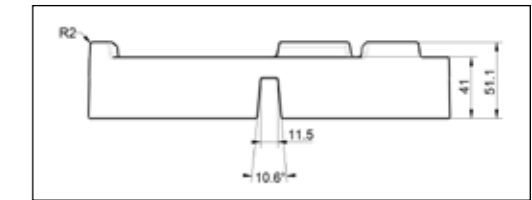
Complete technical documentation available via QR-code located above, left



## Wok ring

Included with every model that has 1 or more Simmer/Stir Fry burners.

Made of	Sast iron
Circumference	ø248 mm
Height	51,1 mm



## Support bars

1 set included with every module.

Made of	Powder coated steel
Length	1168 mm
Height	30 mm

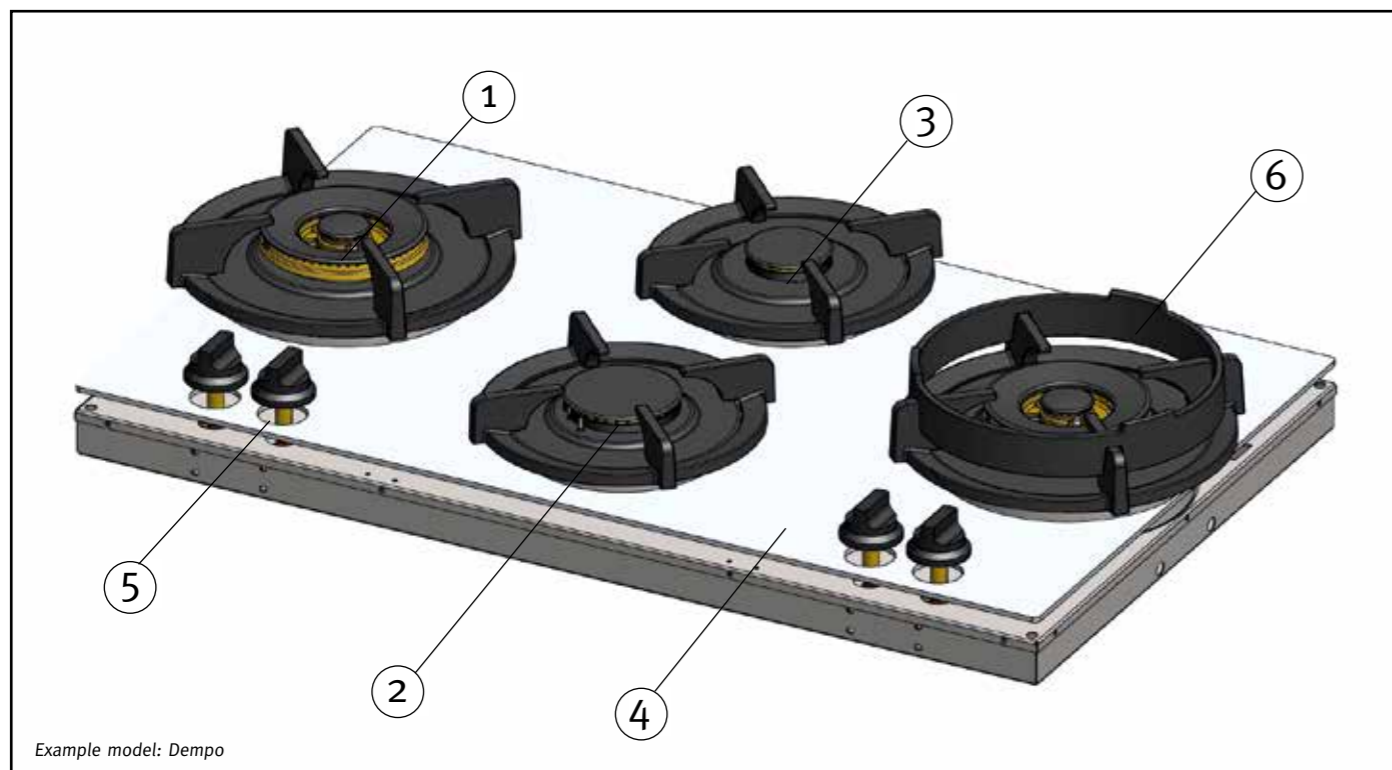


## PITT Pan

With a built in thermometer. Also suitable for other cooking heat sources and for oven use.

Made of	Recycled cast iron
Circumference	ø280 mm

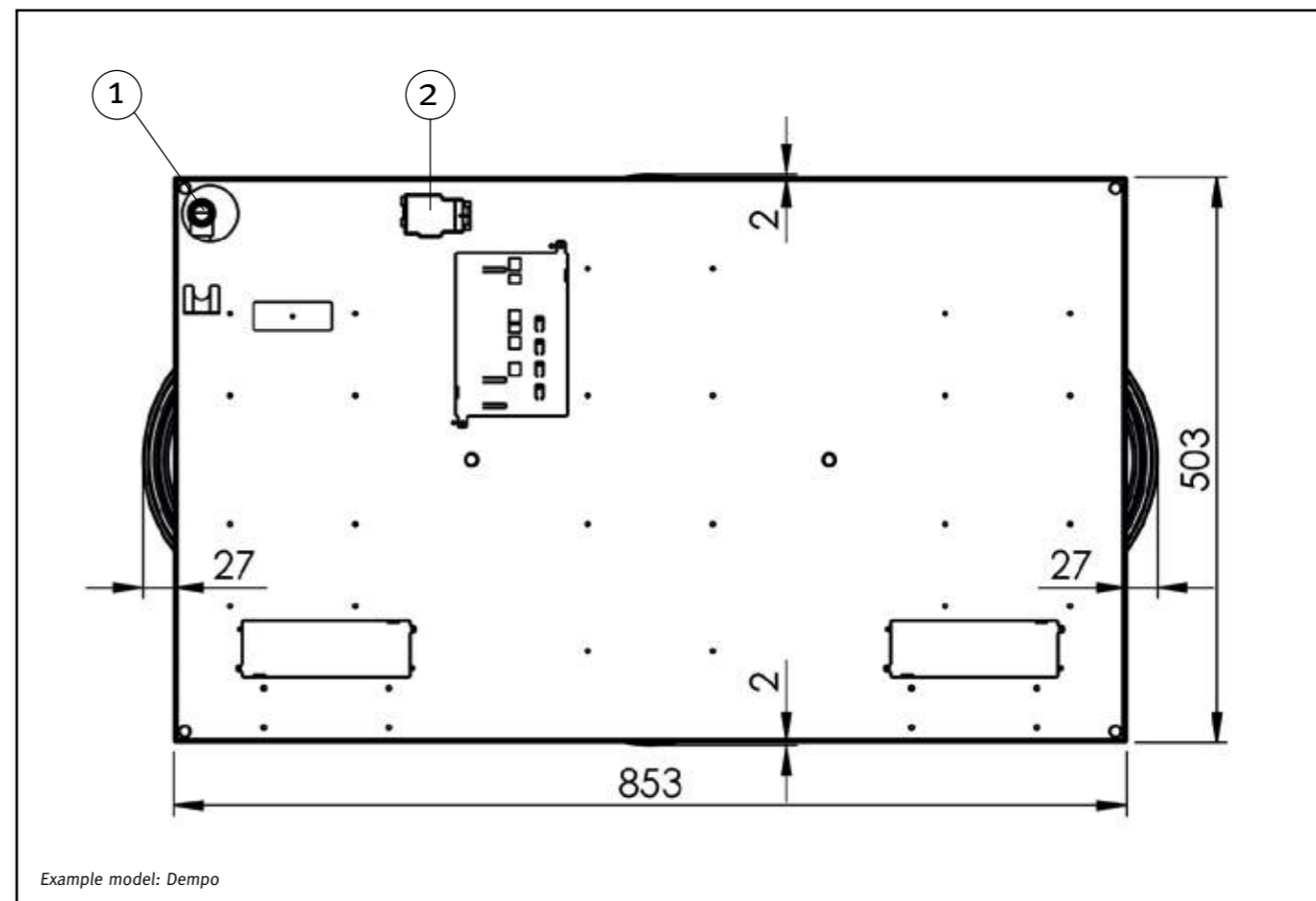
# The PITT cooking module: top



Example model: Dempo

Number	Item	Page
1	Combined Simmer/Stir Fry burner	126
2	Medium burner	122-125
3	Small burner	122-125
4	Heat diffuser	See installation instructions starting on page 145
5	Control knob <i>Also may be installed on the front (vertical) side of the countertop</i>	128-129
6	Wok ring	127

# The PITT cooking module: bottom

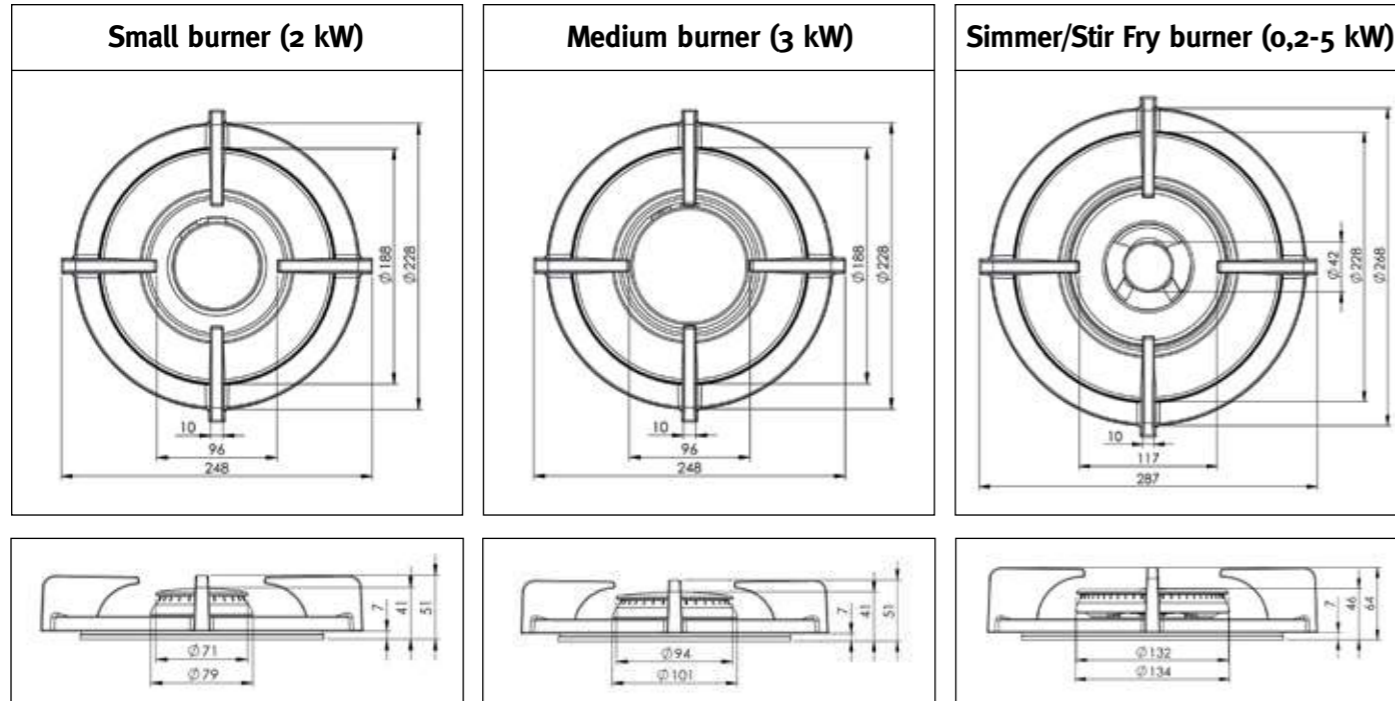


Example model: Dempo

Number	Item	Page
1	Gas connection	131
2	Electical connection	131

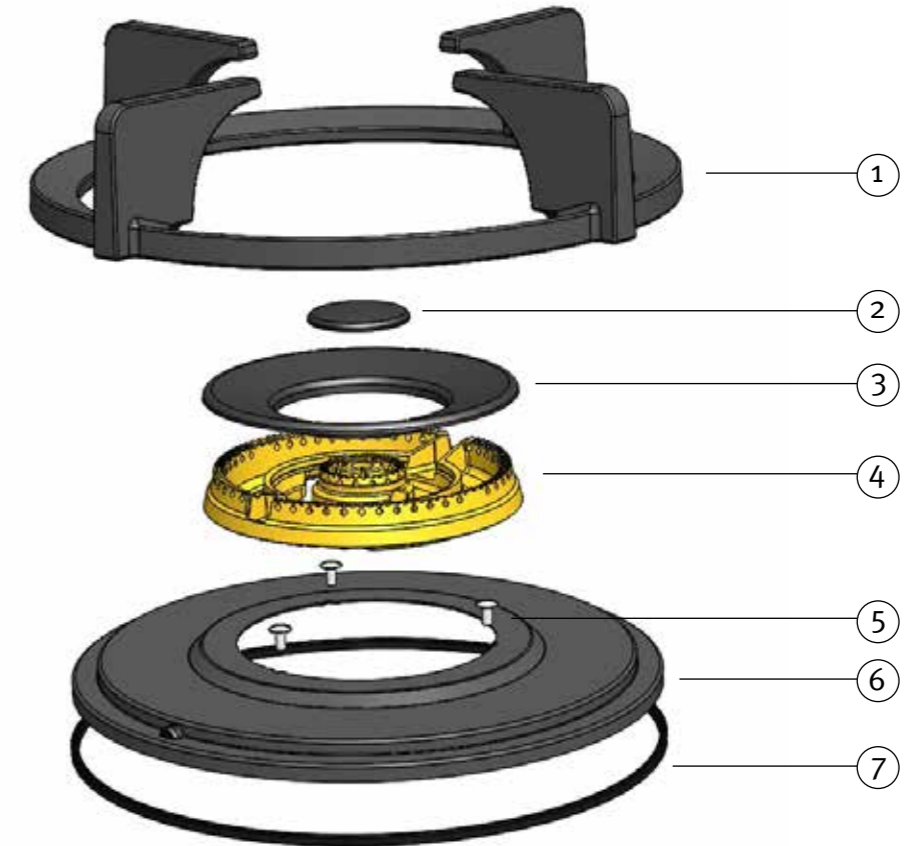
# The burners

– Three types of burners: Small, Medium, Simmer/Stir Fry (combined)



Type of burner	Minimum output	Maximum output	Circumference	Material
Small burner	0,3 kW	2 kW	ø230 mm	Original Professional Black
Medium burner	0,3 kW	3 kW	ø230 mm	Original Professional Black
Simmer/Stir Fry burner (combined)	0,2 kW	5 kW	ø270 mm	Original Professional Black

# The burners



Example burner: Simmer/Stir Fry burner

Number	Item	Material
1	Grate	Enameled cast iron
2	Burner head flame distributor (cap)	Enameled cast iron
3	Burner head flame distributor (ring)	Enameled cast iron
4	Vlamverdeler	Aluminum (Original) Brass (Professional & Black)

Number	Item	Material
5	Mounting	Stainless Steel
6	Heat shield	Enameled steel
7	Silicone ring	Silicone

## Burner function

### — What makes the PITT cooking burner efficient?

In order to produce an efficient flame it is essential that the correct ratio and mixture of gas and oxygen is achieved. Correctly calibrated burning, gas pressure and gas composition produces a perfect blue flame. How is this achieved?

#### 1. Calibration and calculation

- At PITT cooking the ratio of air flow and gas supply feed have been very precisely calculated and applied during the product design process: all the various (technical) parts within the cooking system are finely tuned to one another on the basis of these calculations.
- The PITT cooking system achieves precisely calculated gas supply feed by the orifices in accordance with the type of gas and gas pressure.

#### 2. Airflow intake

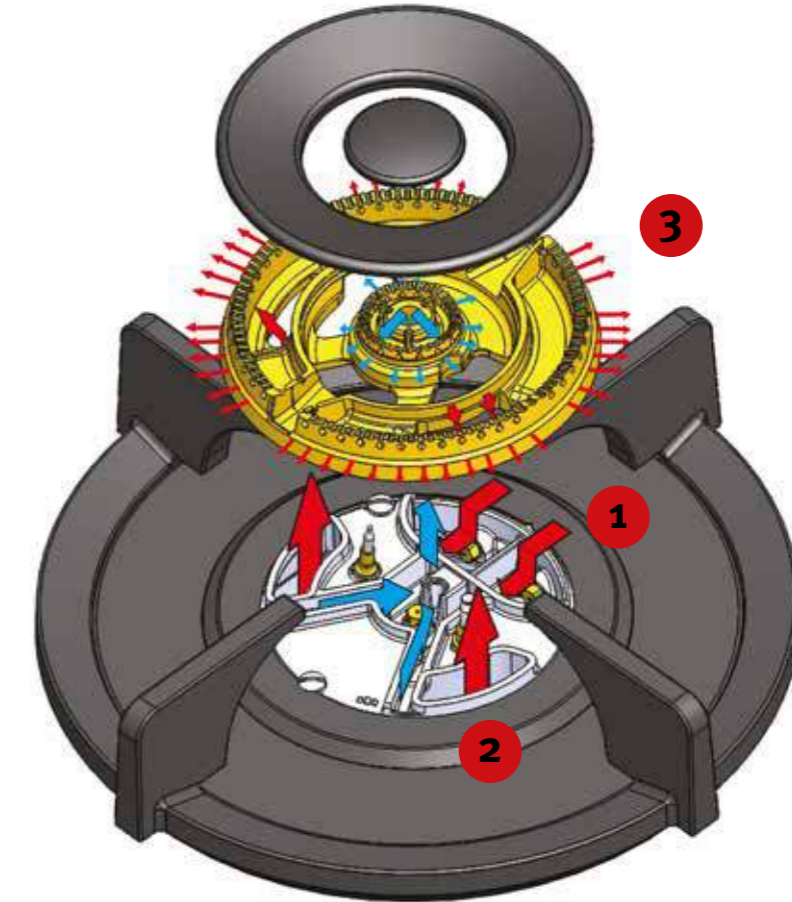
Delivery of oxygen is efficient:

- Air intake is different from that of other burners in that it comes from above and travels unimpeded to the burner. In this way there is neither resistance nor loss of air delivery. This results in very low gas usage by the burner.
- The floating grate further promotes optimal air delivery to the burner unit.

#### 3. Testing

During the in house production process each burner is tested for optimal function and efficiency with each type of gas and the applicable gas pressure for each.

## Burner function



1

Gas flow is activated. Gas mixes with oxygen.

2

The gas-oxygen mixture is forced upwards.

3

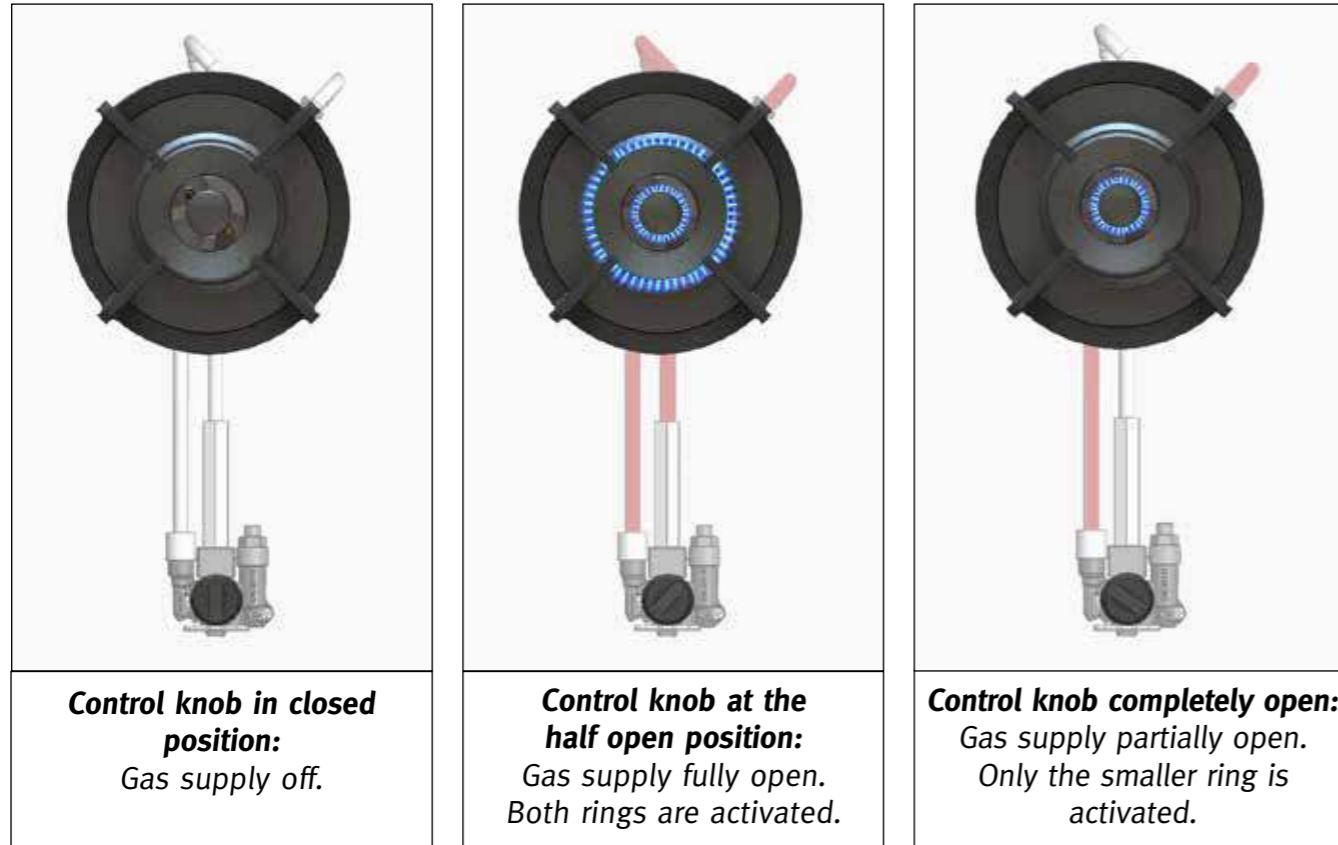
The gas-oxygen mixture ignites and exits the burner head.



## Simmer/Stir Fry burner (combined)

### — How the combined Simmer/Stir Fry burner works

■ Gas supply feed



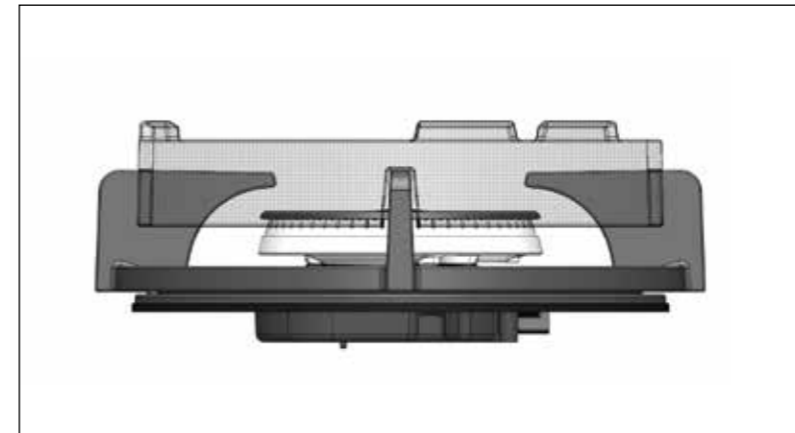
### The Simmer/Stir Fry burner is controlled by a single knob:

- By opening the knob half way the gas supply goes to both rings: a large outer ring and a smaller inner ring. Both will ignite whereby a powerful, high (stir fry) flame results.
- By opening the knob to the fully open position gas is supplied only to the smaller inner ring. A small, gentle (simmering) flame results.

## Wok ring

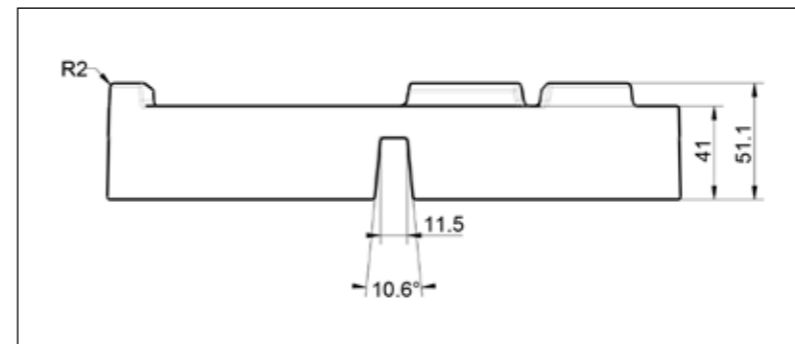
### Points of attention

- The PITT cooking Wok Ring is a loose accessory especially designed for use on PITT burners with woks that have a rounded bottom.
- A PITT cooking wok ring is included with every model that has one or more Simmer/Stir Fry burners.



### — Design and function

- Chinese wok stir fry technique is the basis for the design.
- The three extended arms offer a stable base to the rounded pan at all times.
- The precisely calculated height and rounding of the ring cause the flames to hit the pan with precise control at just the right place.
- The wok ring is designed for use on the PITT cooking Simmer/Stir Fry burner.

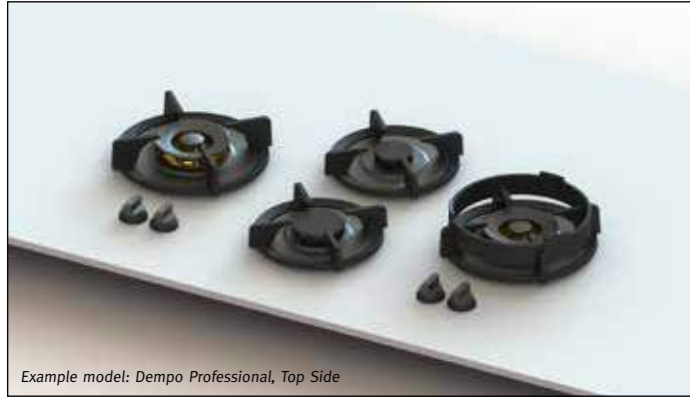


## The control knob: placement

For each PITT cooking module you can select one of two different locations for the control knobs:

- **Top Side operation:** knobs on the countertop
- **Front Side operation:** knobs on the front (vertical) side of the countertop

### – Module with Top Side operation



Example model: Dempo Professional, Top Side

### – Module with Front Side operation



Example model: Dempo Professional, Front Side

### Important

Countertop integration of PITT Top Side models differs in several respects from that of PITT Front Side models. This regards:

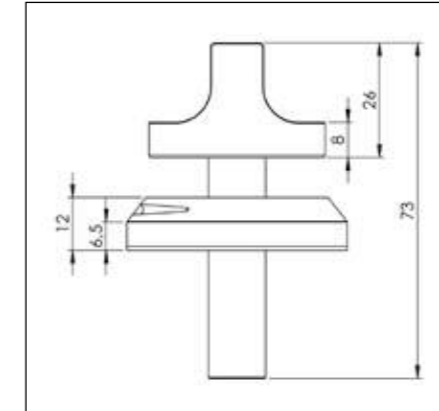
- **Dimensions/construction measurements:** See page 132 (Top Side) and page 136 (Front Side)
- **Installation:** See page 145 (Top Side) and page 148 (Front Side)
- **How to order:** See page 155

## The control knob: dimensions

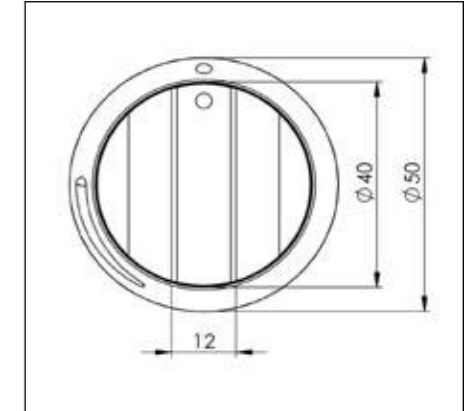
### – Dimensions of Top Side control knob



3D rendering of Top Side knob



Front view of Top Side knob

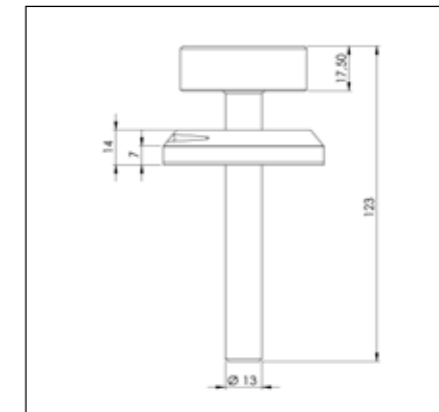


Overhead view of Top Side knob

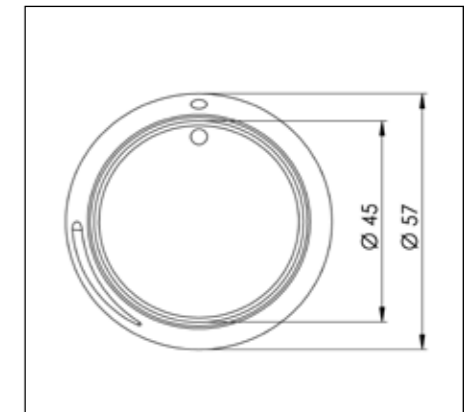
### – Dimensions of Front Side control knob



3D rendering of Front Side knob



Front view of Front Side knob



Overhead view of Front Side knob

## Countertop requirements

### Important

- Caution: The countertop requirements for PITT cooking models with Top Side controls (see page 133 for construction measurements) differ from those for models with Front Side controls (for construction measurements see page 136). You will find further information about making the countertop cutouts starting on page 137.

### – Which materials are suitable for safe installation of PITT cooking modules?

#### Suitable:

- ✓ Compact Board
- ✓ Quartz Composite
- ✓ Fenix NTM
- ✓ Concrete
- ✓ Glass
- ✓ Natural stone (e.g. Granite, marble)
- ✓ Stainless Steel
- ✓ Ceramic



#### Unsuitable

- ✗ Countertops with an HPL top layer (High Pressure Laminate)
- ✗ Solid wood
- ✗ Solid Surface

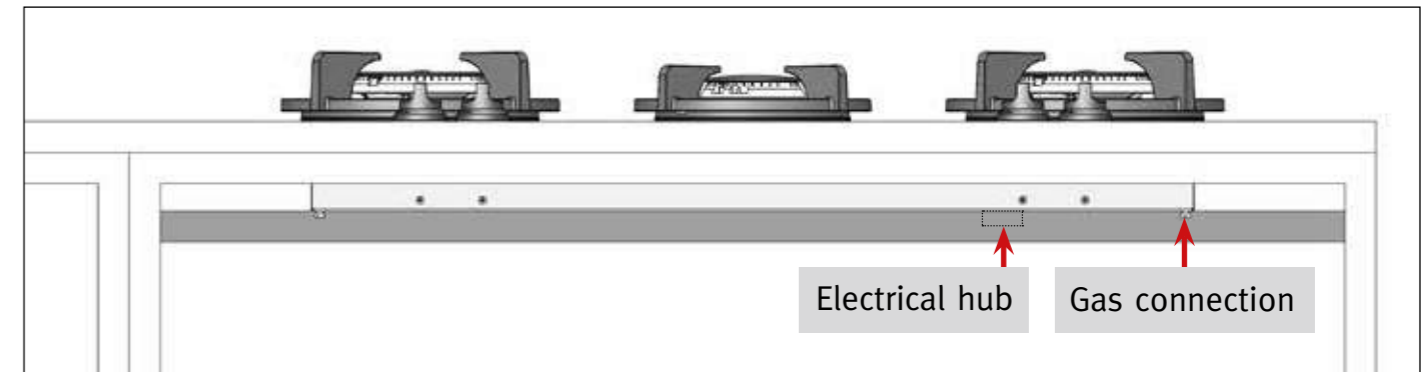


## Requirements for gas and electrical connections

### Important

- The shutoff valve, wall receptacle and plug must all remain within easy reach.
- Installation and connections must comply with all current local and state regulations. In this regard very close attention must be paid to ventilation requirements.

### – Positioning of gas and electrical connections



### – Gas

Suitable gas supplies	Natural gas LPG (Propane)
Type of connection	1/2" external thread

### – Electricity

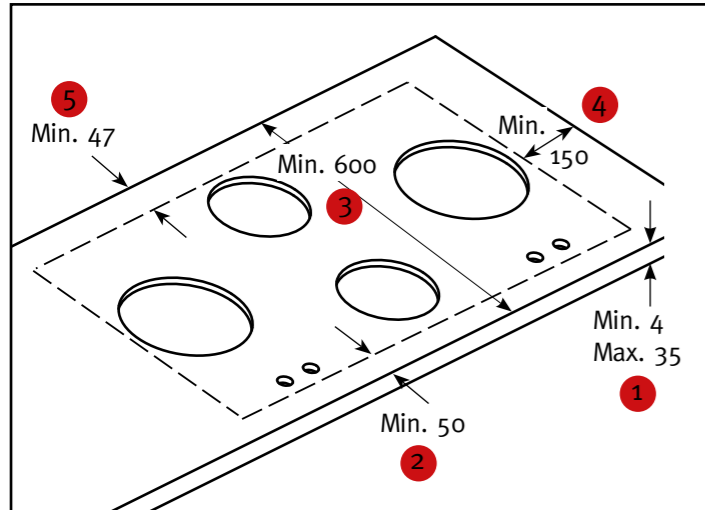
Voltage	220-110V (default) 1,5V (on request)
Wire length	150 cm

### – Spark ignition and flame protection

Automatic ignition	✓
Flame protection (thermo couple)	✓

## Construction measurements: Top Side

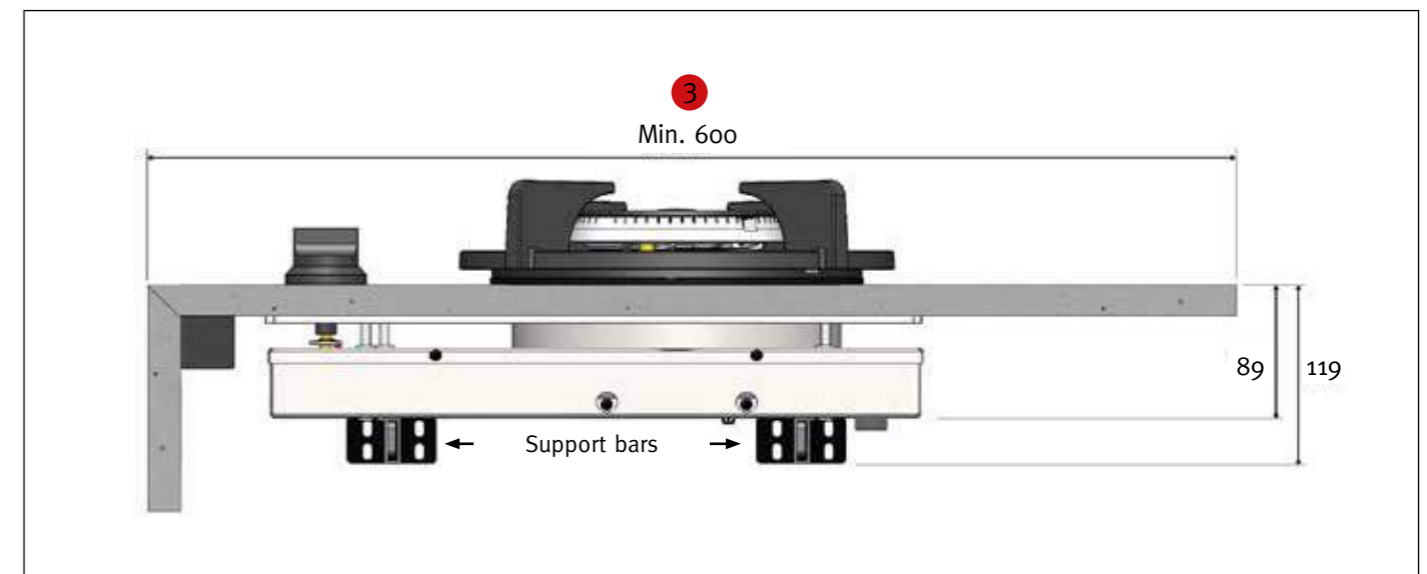
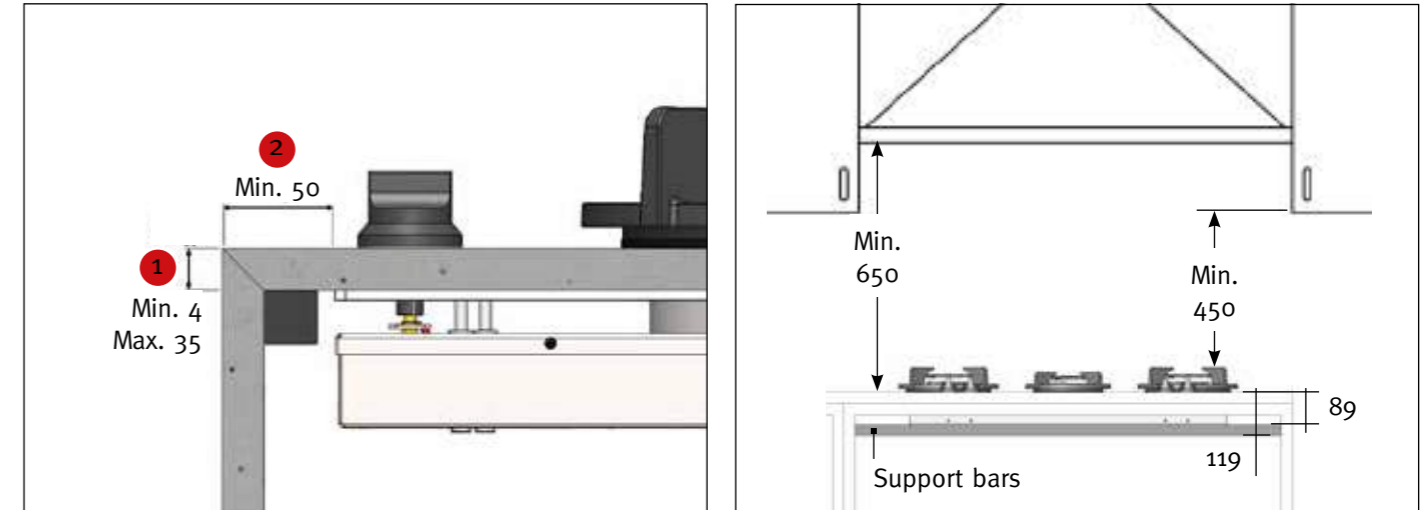
– Installation dimensions for Top Side models (measurements in mm)



1	Minimum thickness of countertop material (solid)	4 mm
	<i>Minimum thickness of countertop material (solid)</i>	10 mm
1	Maximum thickness of board material (solid)	35 mm
2	Minimum C-size	50 mm
3	Minimum depth of countertop	600 mm
4	Minimum distance from the sides of the countertop	150 mm
5	Minimum distance from the back of the countertop	47 mm

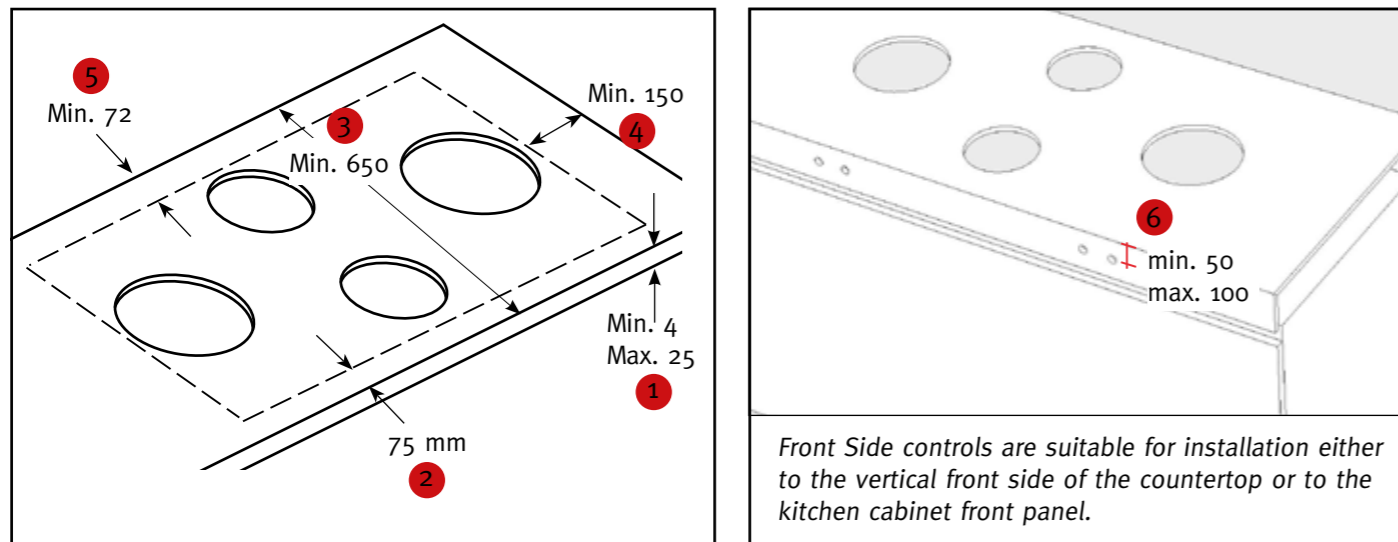
## Construction measurements: Top Side

– Construction measurements for Top Side models (measurements in mm)



## Construction measurements: Front Side

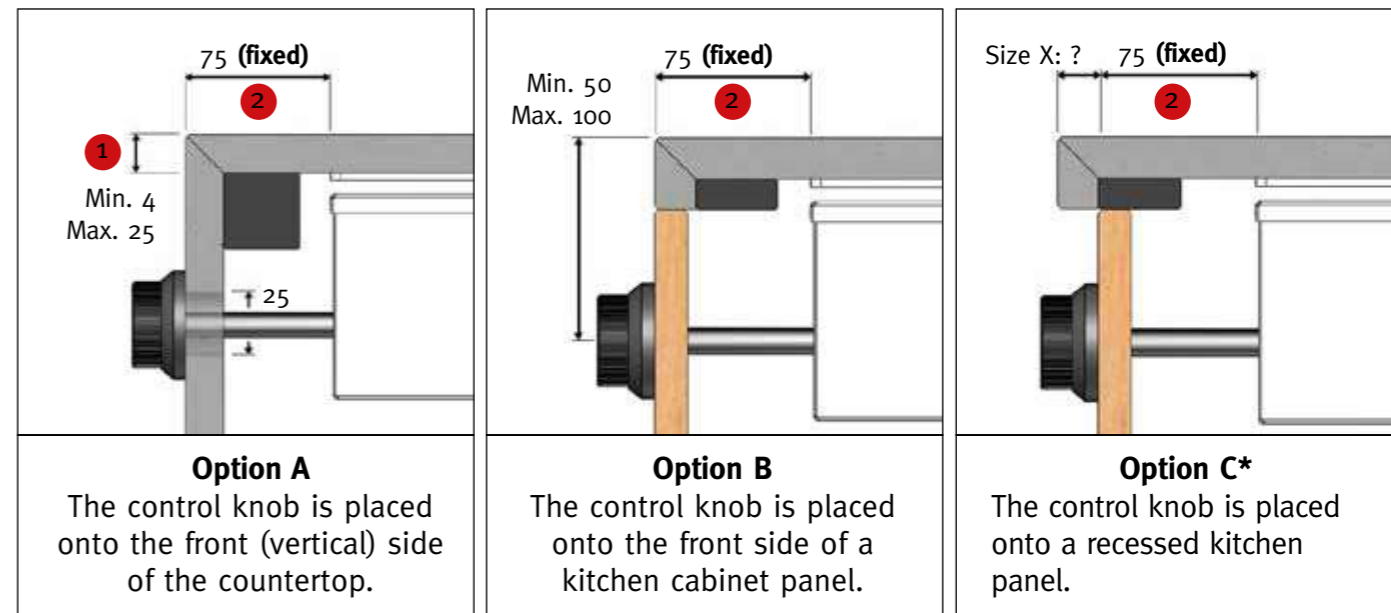
### – Construction measurements for Front Side models (dimensions in mm)



1	Minimum thickness of countertop material (solid)	4 mm
	Minimum thickness of countertop material (solid) of: Quartz Composite, compact board and natural stone	10 mm
1	Maximum thickness of countertop material	25 mm
2	<b>Fixed</b> C-size	75 mm
3	Minimum depth of countertop	650 mm
4	Minimum distance from sides of countertop	150 mm
5	Minimum distance from the back of countertop	72 mm
6	Center of the control knob, with reference to top of countertop	Min. 50 Max. 100 mm

## Construction measurements: Front Side

### – Construction measurements for Front Side models (dimensions in mm)



### Placement of control knob (height)

The placement of the knob (height) can be established during the cabinetry design process. Take into account the minimum distance of 50 cm and maximum distance of 100 cm from the top surface of the countertop.

\* With this option take into account the amount of countertop overhang. (Dimension X)

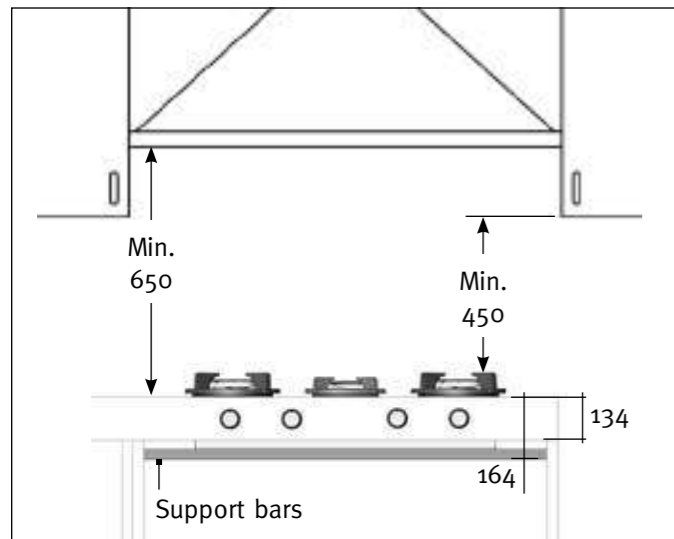
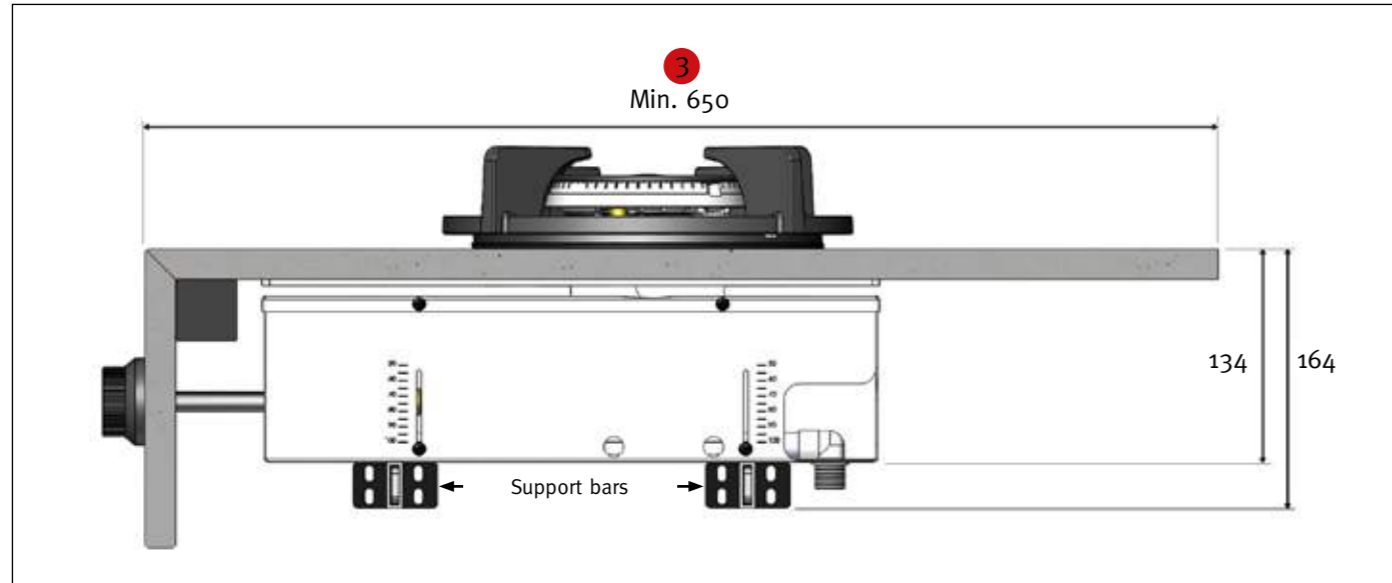


### Dimensions Template

In order to execute the correct dimensions you should make use of a dimensions template when ordering a Front Side model. You can download this template via the QR- code on the left, or via the website: [pittcooking.com/downloads](http://pittcooking.com/downloads).

# Installation measurements: Front Side

## – Installation measurements for Front Side models (measurements in mm)



# Cutouts

## Cutout patterns

The cutouts in the countertop should be made by using the cutout pattern for the applicable model. Cutout patterns for all models can be found on page 158 under 'Downloads'. They are also on the PITT cooking website: [pittcooking.com/assortment](http://pittcooking.com/assortment) (on the applicable model's page) or via [pittcooking.com/downloads](http://pittcooking.com/downloads).

## – Points of attention

- The inside of the cutout(s) must be smooth and even and must be carefully sanded (fig. A1). Irregularities can cause cracks (fig. A2).

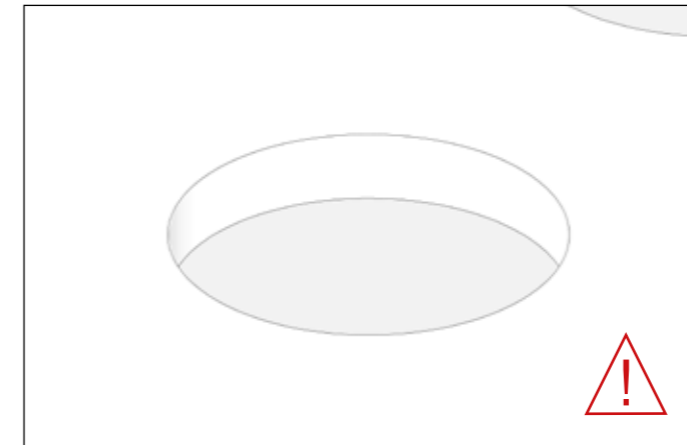


Fig. A1

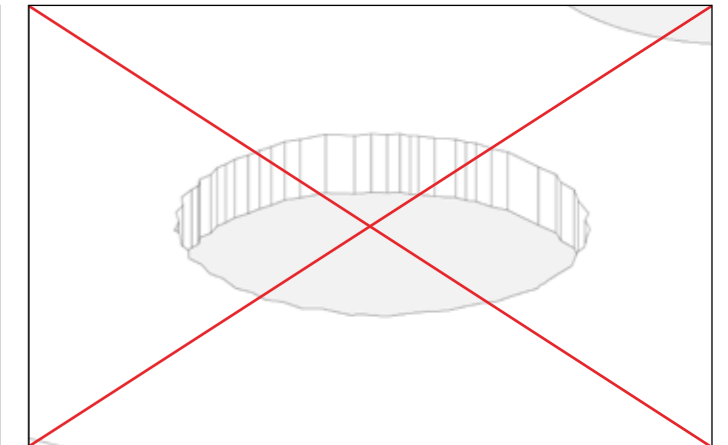


Fig. A2

# Cutouts

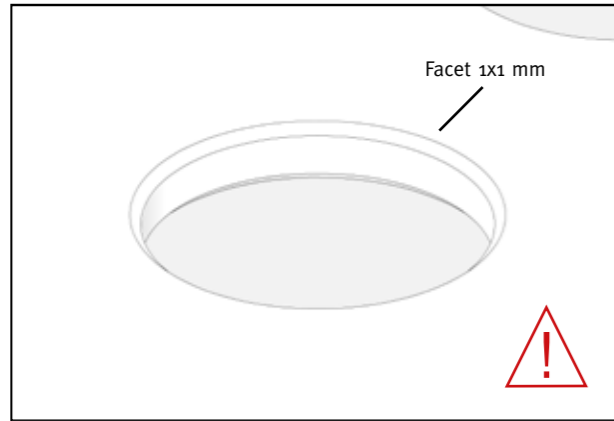


Fig. A3

- Create a very small 1x1 mm facet on both the upper and lower edges of the cutouts (Fig. A3).

- Glued connections and/or coupling joints may never intersect the cutout(s). Joints must be a minimum distance of 250 mm from any cutout(s) (fig. A4 and fig. A5).

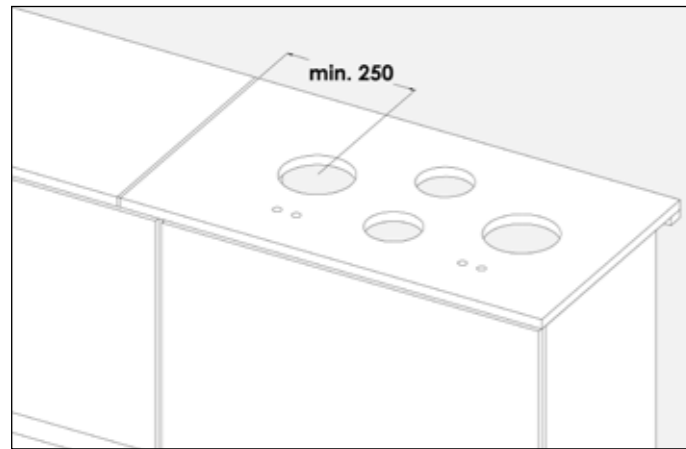


Fig. A4

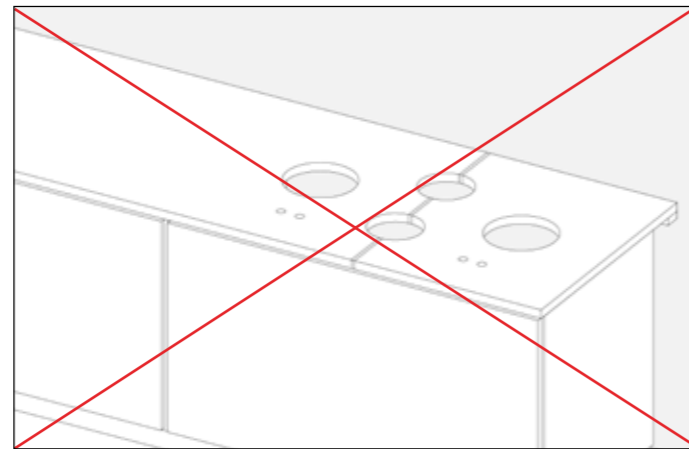
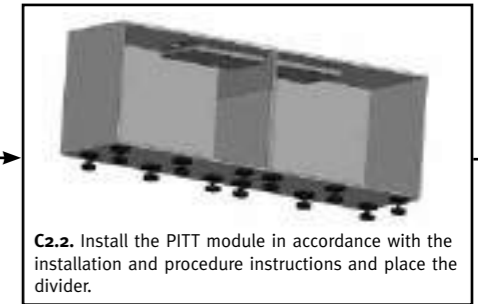
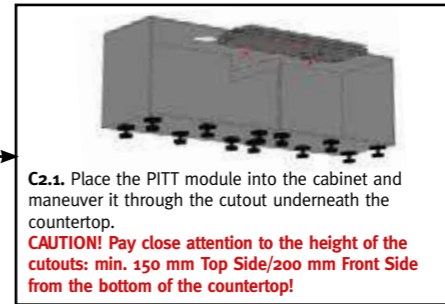
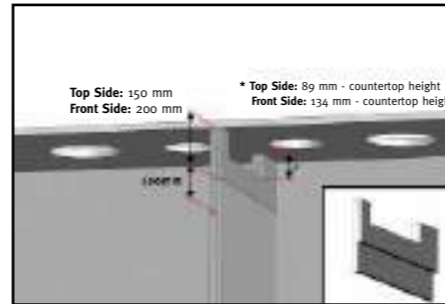
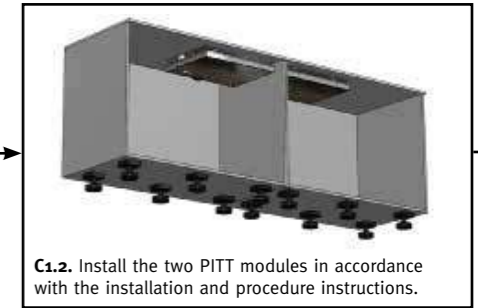
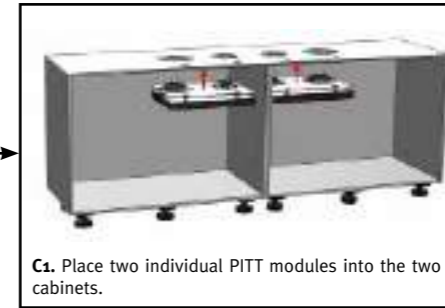
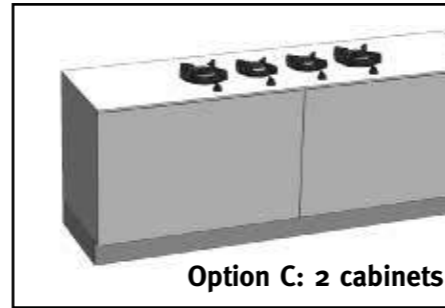
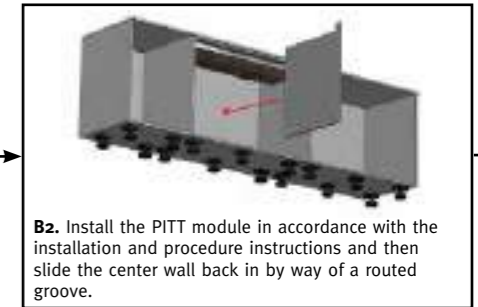
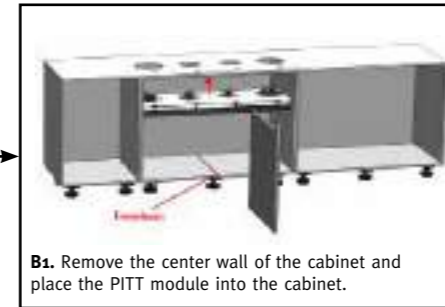
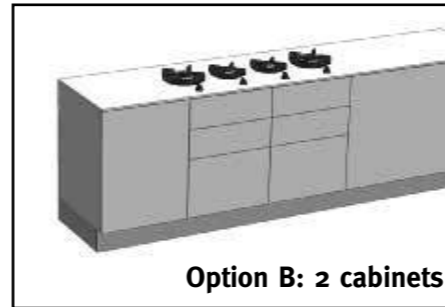
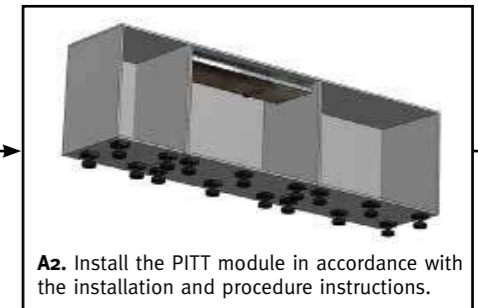
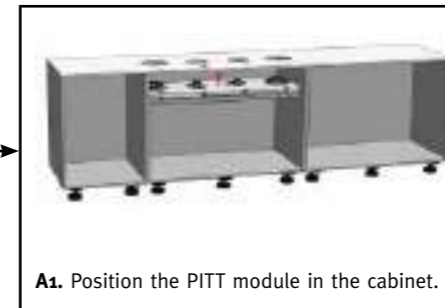
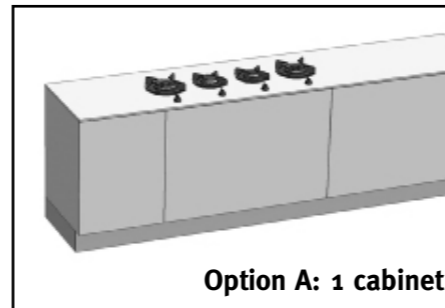
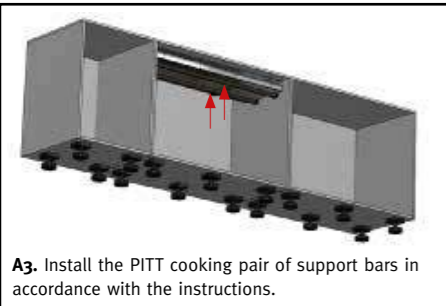


Fig. A5

# Construction: checklist

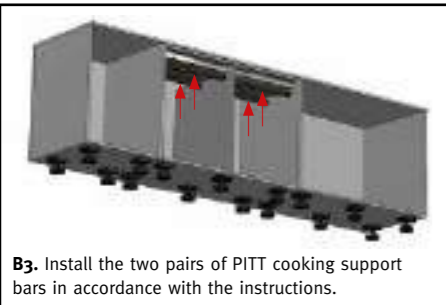


## Construction: checklist



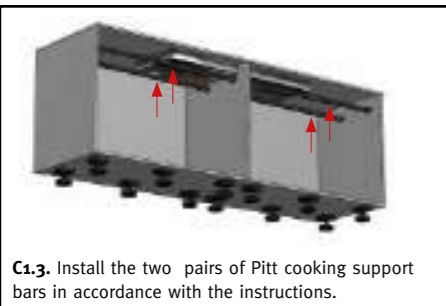
### Option A:

The module is installed within the breadth of one single cabinet. Pay attention to the proper positioning of the pair of support bars.



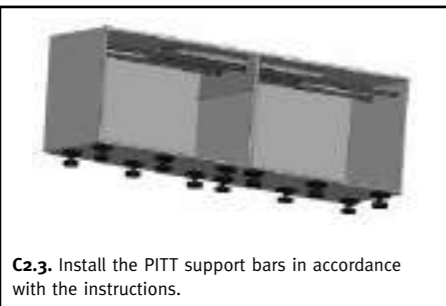
### Option B:

The module is installed over the junction of two cabinets. Provide for a removable divider via a routed groove.



### Option C1:

The module is installed over the junction of two cabinets. Combine two individual PITT modules each of which fits within the breadth of a single cabinet.



### Option C2:

The module is installed over the junction of two cabinets. Provide a removable divider that complies with the correct minimum heights.

## Installation: instructions

### Important

- It is extremely important to assure that a PITT Module is removable in the event that service is required. In order to verify that a module adheres to established construction requirements please see the construction checklist on page 142.
- In order to avoid sagging of the countertop it is essential to support it by installing the support bars provided. Instructions for installation of the support bars can be found on page 151.
- The underside of the countertop material must be completely smooth in order for contact between the heat diffuser and the countertop to be uninterrupted.
- Attention: for models with Top Side controls (page 145) the installation instructions differ from those for models with Front Side controls (page 148).

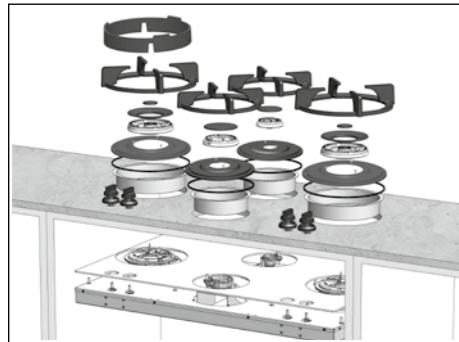


# Installation of a Top Side module

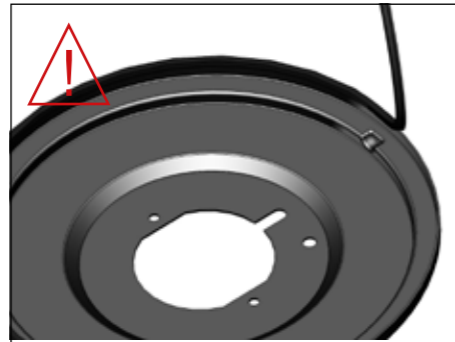
Below you will find a step by step guide to the installation of a PITT cooking module with Top Side controls.



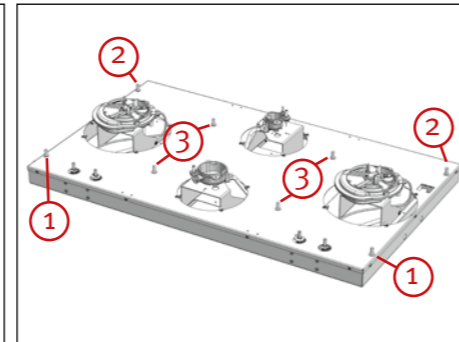
**In order to protect the guarantee and assure proper functioning of the cooking unit, it's essential to follow and execute the installation guidelines precisely.**



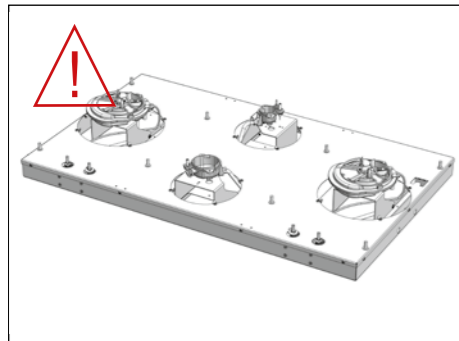
1. Overview of all parts.



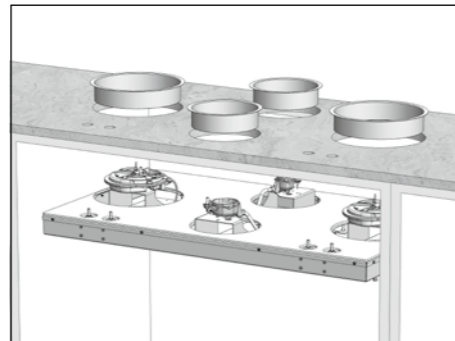
2. Carefully press the sealing ring over the edge of the heat shield. Check whether the ring is sealed completely and evenly.



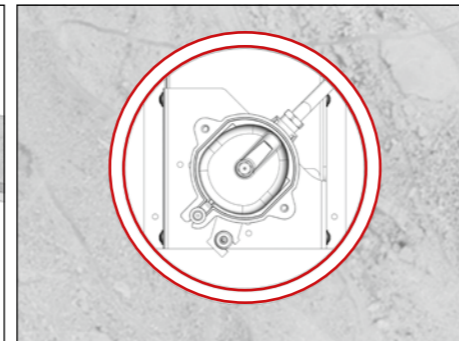
3. Overview of the mounting screws. These are separated into 3 groups and will come into play later in the instructions.



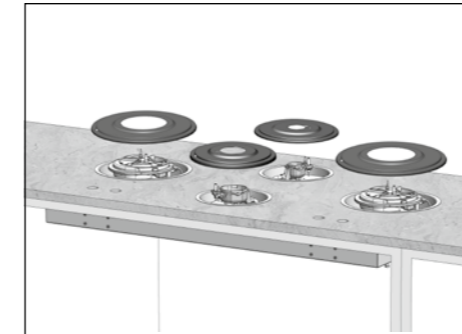
4. Unscrew all the mounting screws to approximately 3mm above the unit surface. Then put the heat diffuser in place on the unit.



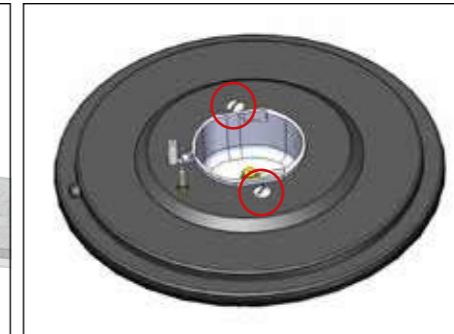
5. Place the flanges in the proper openings and carefully position the unit under the countertop. Check whether the heat diffuser is properly positioned.



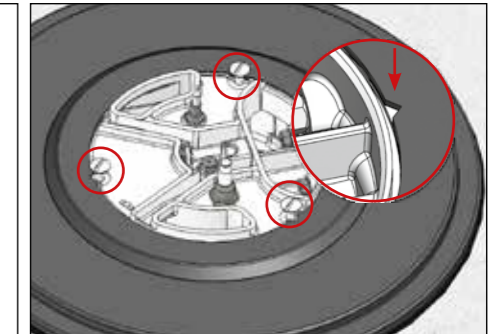
6. Check whether the flanges are centered in the cutouts. Attention: if they are not, then the flanges will not function properly.



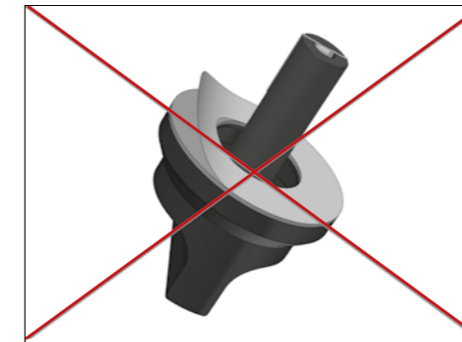
7. Position the heat shields, with the sealing rings in place (step 2), onto the burners and screw them into position with the screws provided.



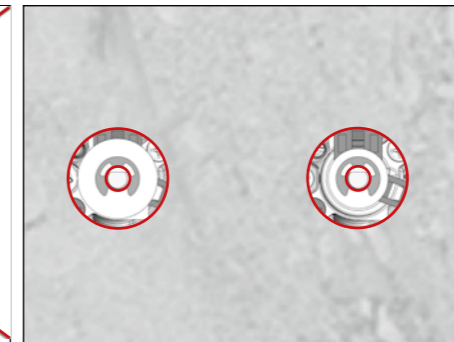
8. The heat shields of the 2kW and 3kW burners are secured with two screws and may only be secured in this manner.



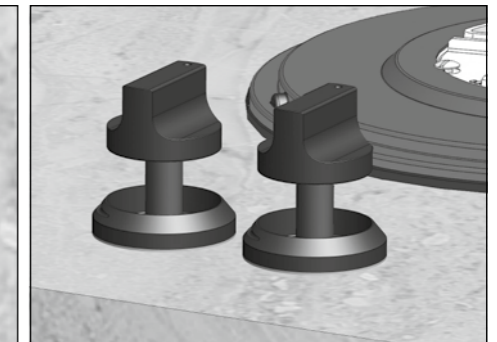
9. With the Simmer/Stir Fry burner make certain that the V-shaped opening is aligned with the axis of the burner. Fasten the heat shield with the three screws provided.



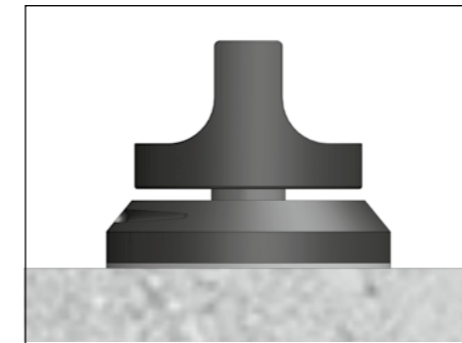
10. Attention: do not yet remove the adhesive strip at the bottom of the control knob mounting disc.



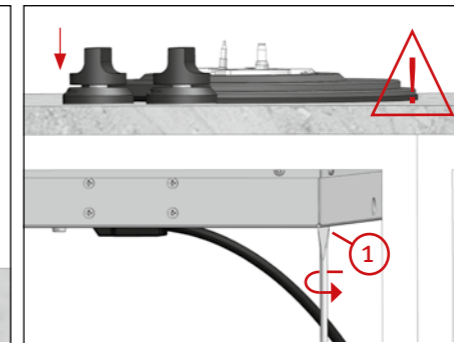
11. Carefully slide the unit into position: make sure that the burner gas valve stems are centered within the cutouts in the countertop.



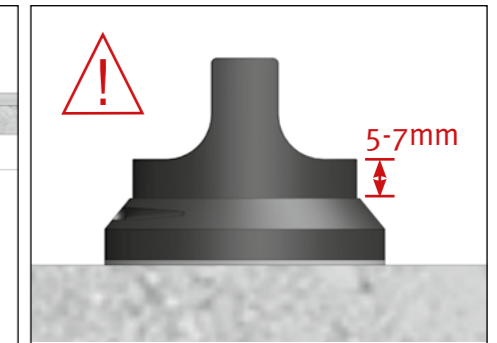
12. Press the control knobs firmly onto the valve stems with the markings directed towards the front. Depress the knob and check whether it springs back to the rest position.



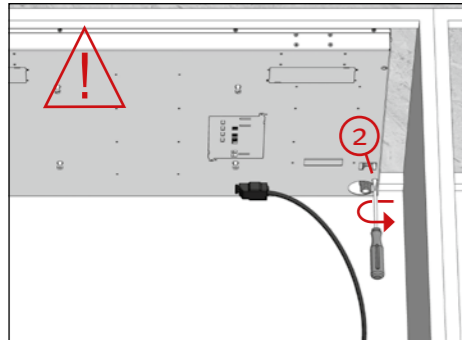
13. When properly placed there is a small space visible between the knob and upper end of the control knob mounting disc.



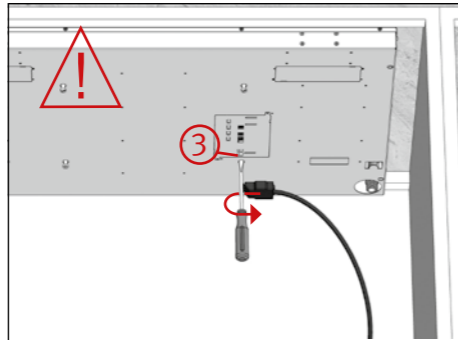
14. Tighten the mounting screws of group 1 (see step 3). This secures the heat diffuser against the countertop.



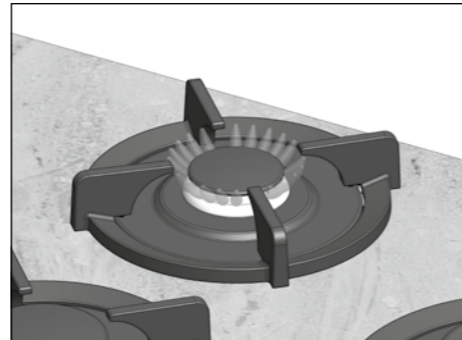
15. Stop tightening if the undersides of the control knobs descend towards the control knob mounting discs. The knobs must remain 5-7 mm above the mounting discs.



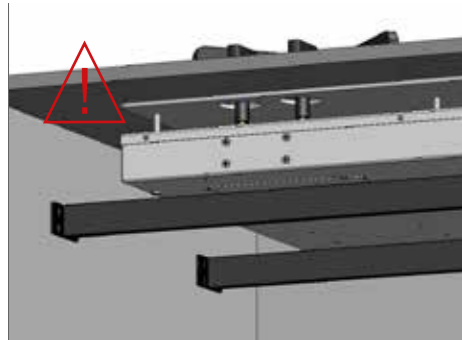
16. Screw the rearmost mounting screws (group 2, see step 3) thumb tight. Check whether the heat diffuser is in contact with the countertop in its entirety.



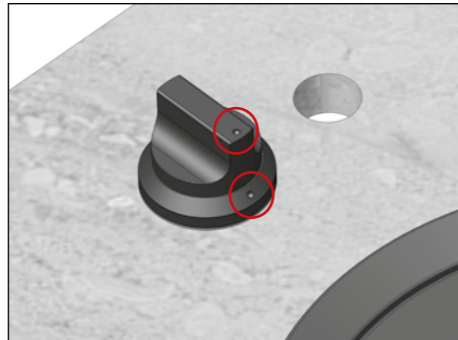
17. Screw the middle screws (group 3 see step 3) thumb tight. Check if the heat diffuser is in contact with the countertop in its entirety.



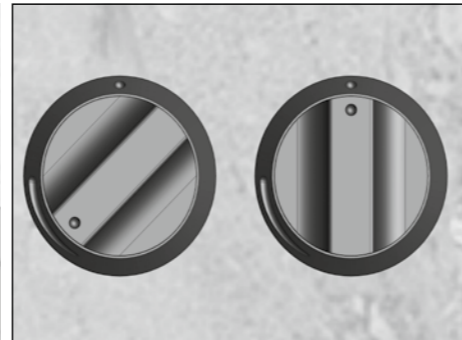
18. Connect the unit to gas and electrical supplies and ignite the burners. If the flame dies after ignition the control knobs must be readjusted (step 14).



19. Check whether the heat diffuser is in entirely uninterrupted contact with the countertop and position the support bars in order to avoid stress to the countertop. See page 155.



20. Remove the adhesive strip under the control knob mounting disc. Press the knob and disc as one unit onto the gas valve stem in such a way that they are centered and aligned.



21. Check whether the knobs turn smoothly and that they spring back to the rest position after being depressed. If necessary, carefully remove the disc and then stick it down again.

## — Downloads



## Installation

# Installation of a Front Side module

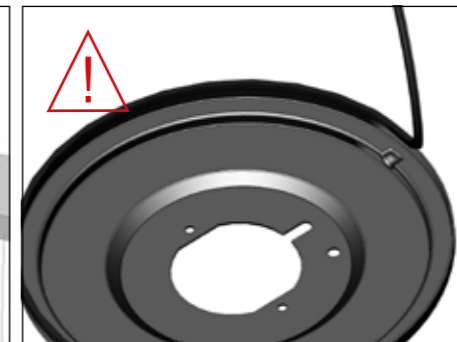
Below you will find a step by step guide to the installation of a PITT cooking unit with Front Side controls.



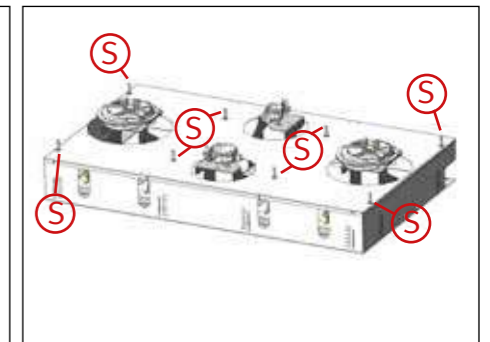
**In order to protect the guarantee and assure proper functioning of the cooking unit it is essential to follow and execute the installation guidelines precisely.**



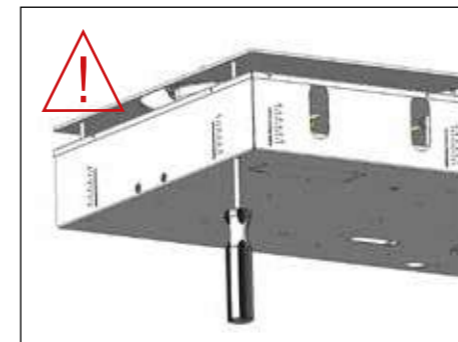
1. Overview of all parts.



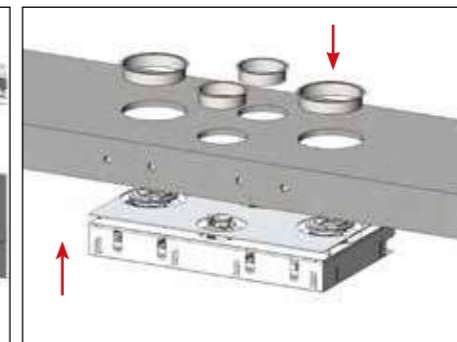
2. Carefully press the sealing ring over the edge of the heat shield. Check whether the ring is sealed completely and evenly.



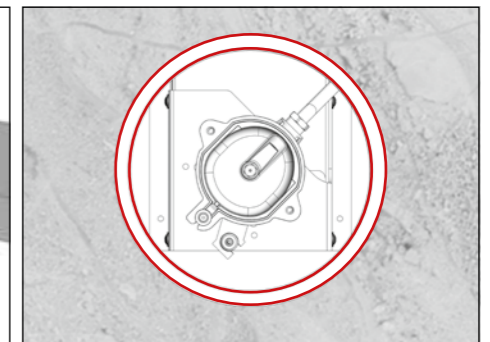
3. Overview of the mounting screws. These are separated into 3 groups and will come into play later in the instructions.



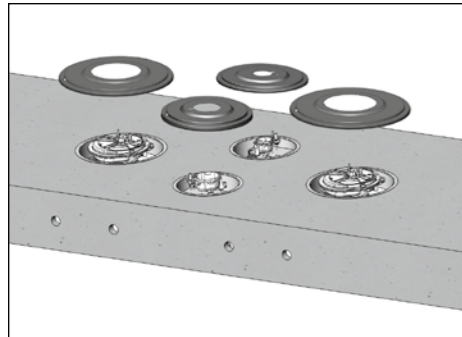
4. Turn back all the mounting screws to approximately 3mm above the unit surface. Then put the heat diffuser in place on the unit.



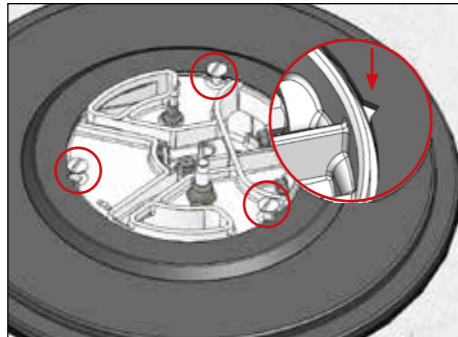
5. Place the flanges in the proper openings and carefully position the unit under the countertop. Check whether the heat diffuser is properly placed.



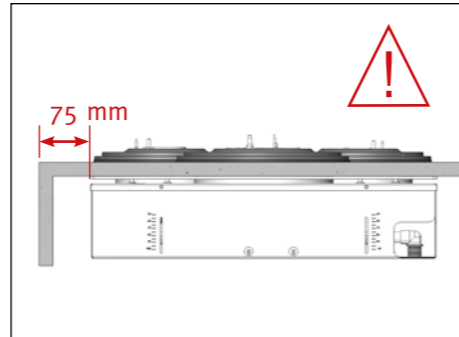
6. Check whether the flanges are centered in the cutouts. Attention: if this is not the case then the flanges will not function properly.



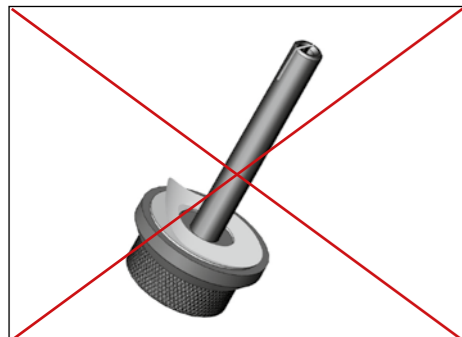
7. Position the heat shields, with the sealing rings in place (step 2), onto the burners and screw them into position with the screws provided.



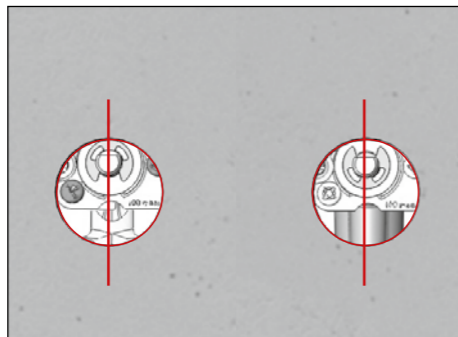
8. With the wok (stir fry) burner make certain that the V-shaped opening is aligned with the axis of the burner. Fasten the heat shield with the three screws provided.



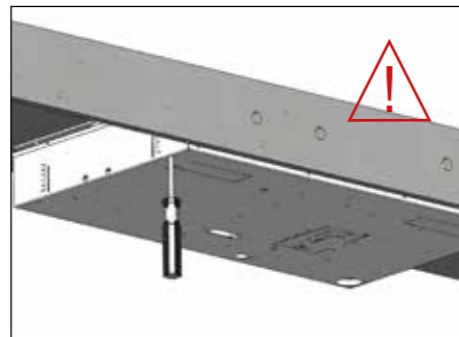
9. Measure the distance between the front of the unit and the countertop framing or uppermost front cabinet panel. This distance must be 75 mm.



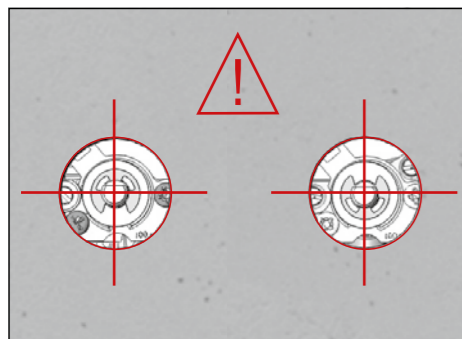
10. Attention: do not yet remove the adhesive strip at the bottom of the control knob mounting disc.



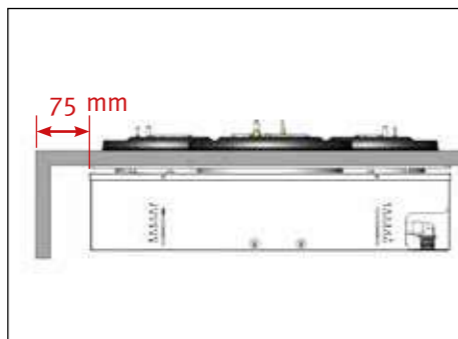
11. Carefully slide the unit into position: make sure that the valve stems are centered vertically within the cutouts in the countertop framing or cabinet panel.



12. Tighten all the screws from back to front until the valve stems are centered in the cutouts. Check if all screws have been tightened.



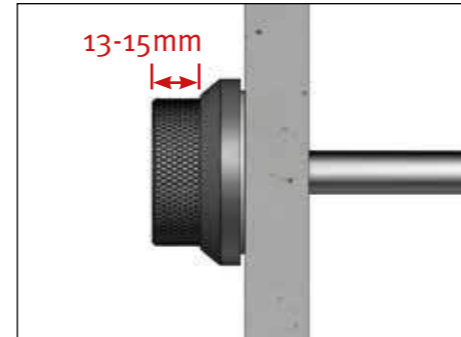
13. Correctly centered gas valve stems.



14. Recheck the measurement of the distance between the front side of the cooking unit and the countertop framing or upper front cabinet panel. This measurement must be 75 mm.



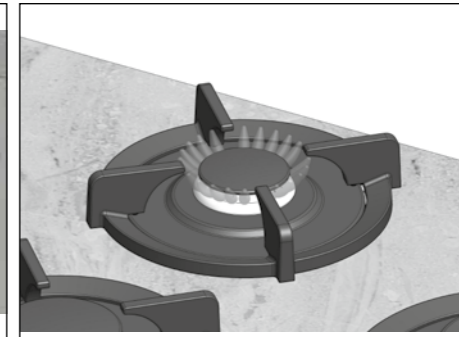
15. Remove the adhesive strip from the control knob mounting disc. Press the knob and mounting disc together as one unit over the gas valve stem in such a way that it is centered and aligned.



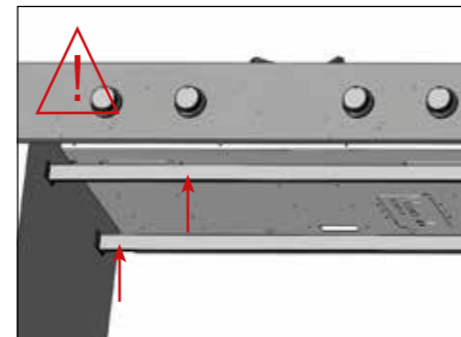
16. Check whether the control knob sticks out sufficiently. The knobs should extend 13-15 mm beyond the mounting discs.



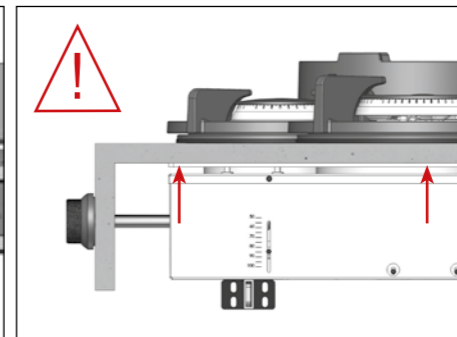
17. Check whether the knobs turn smoothly and spring back after being depressed. If necessary, carefully remove the mounting disc and stick it down again.



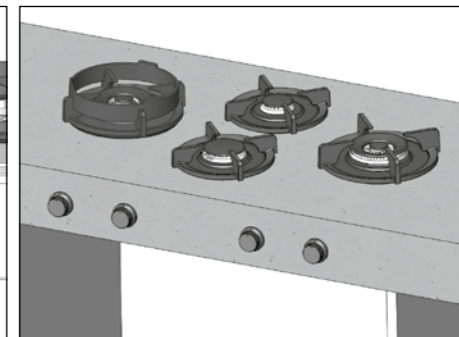
18. Connect the unit to gas and electrical supply and ignite the burners. In the event that the flames die after ignition the knobs must be readjusted (step 9).



19. Support the unit with the double PITT cooking support bar set (see page 155).



20. Check whether the heat diffuser is in uninterrupted contact with the counter top in its entirety.



21. The unit is now ready for use.

## — Downloads

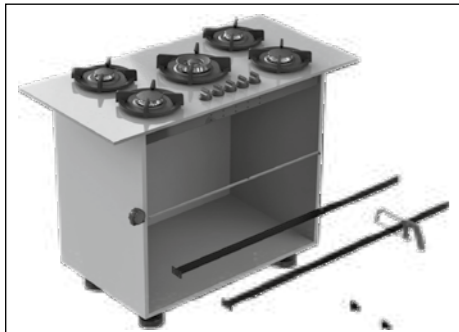


# Installation of a support bar

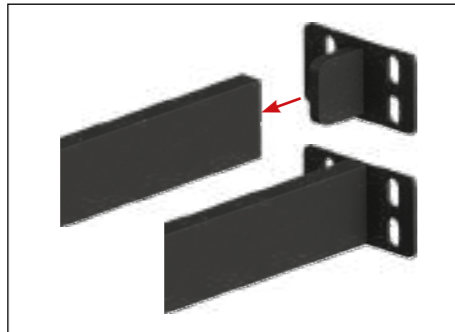
Every PITT cooking module must be supported by the support bar package which consists of two support bars. These bars are provided with every module.

**Equipment list:**

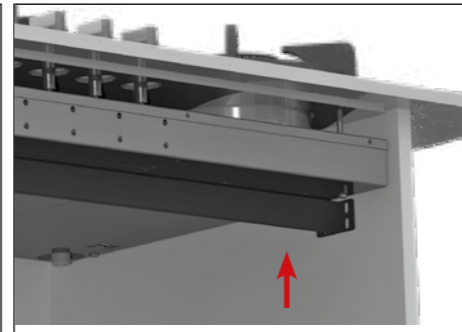
- Retractable metal tape measure
- Philips screwdriver
- Hack saw



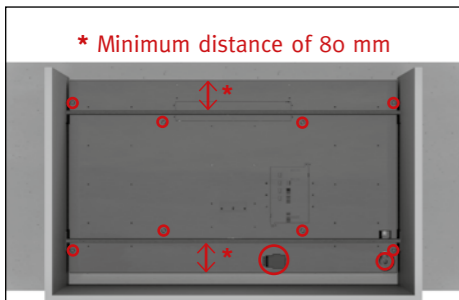
1. Determine the measurements of the cabinet and cut the support bar to size. **ATTENTION:** The proper length of the support bar = the interior dimension of the cabinet minus 4 mm.



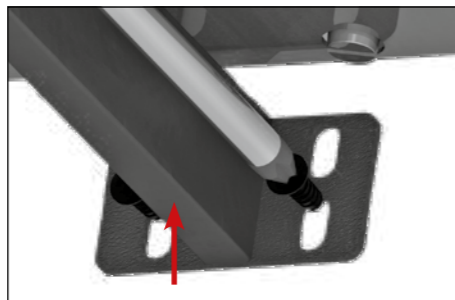
2. Place the mounting brackets onto the ends of the sawn to measure support bar.



3. Put the support bar into the cabinet and position it against the underside of the PITT cooking unit. **BE CAREFUL WITH POSITIONING, SEE STEP 4!**



4. Position the support bar in such a way that the mounting screws, gas connection and the electrical connections remain free and accessible.



5. Push the support bar firmly against the underside of the PITT cooking unit and tighten the lower two screws thumb tight. Repeat this step for the other side of the cabinet.



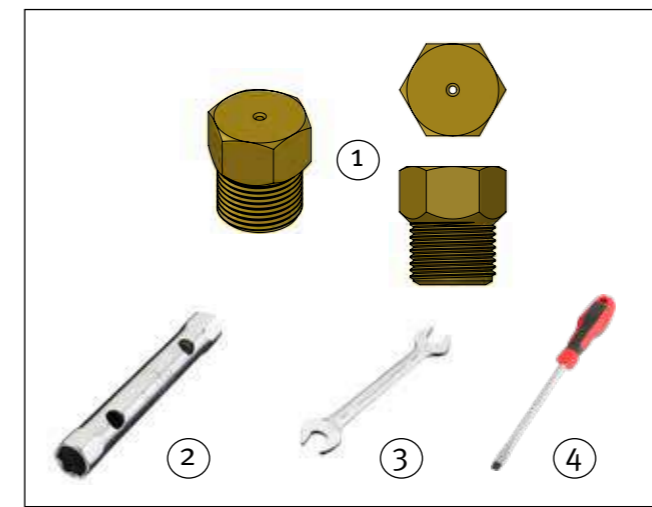
6. Push the support bar firmly against the underside of the PITT cooking unit and first tighten the upper two screws completely and then the lower screws.

# Changing orifices

**Important**

- Only the gas valves of the small (2kW) and medium (3kW) burner need to be reset when orifices are changed. These can be identified by the extra opening next to the gas valve.
- If the type of gas remains the same but the the pressure changes(e.g. , G20mbar to G20-13mbar) only the orifice needs to be changed.
- When making changes a new gas specification sticker must be placed over the existing sticker on the underside of the cooking unit.
- These guidelines are also downloadable via [pittcooking.com/downloads](http://pittcooking.com/downloads).

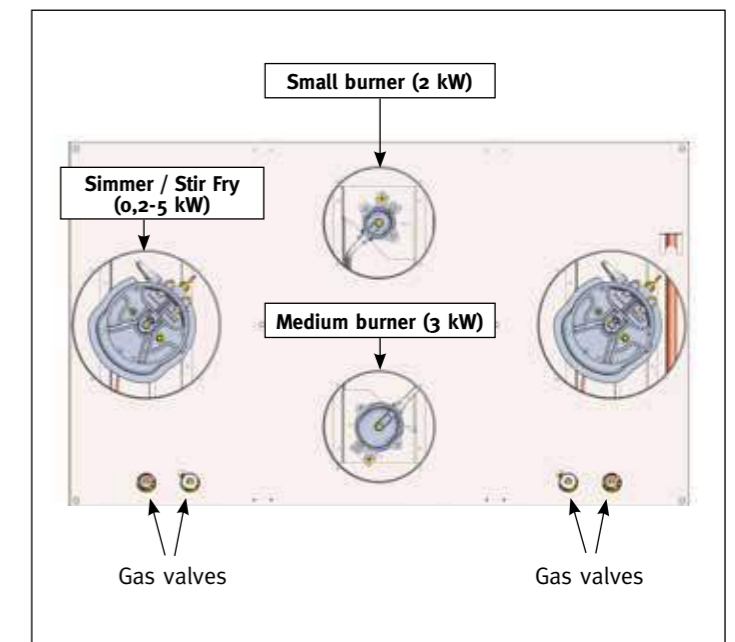
– **Supply list**



No.	Item
1	Orifices
2	7 mm pipe wrench

No.	Item
3	Socket wrench 7 mm
4	Flat head screwdriver

– **Overview burners**

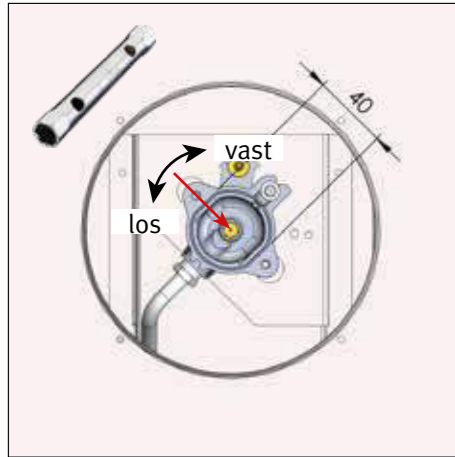


Gas valves

Gas valves

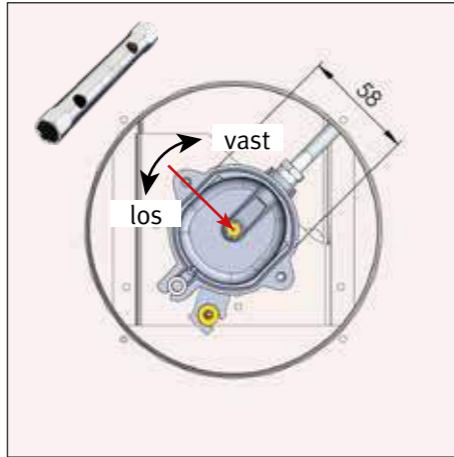
# Changing orifices

## – Small burner



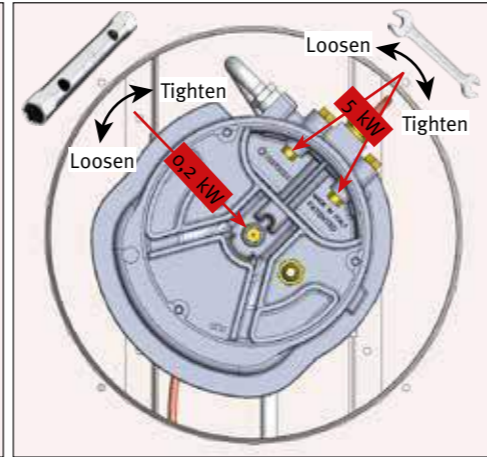
**Changing of orifice small burner:**  
Loosen the existing orifice by turning counterclockwise. Install the new orifice by tightening clockwise.

## – Medium burner



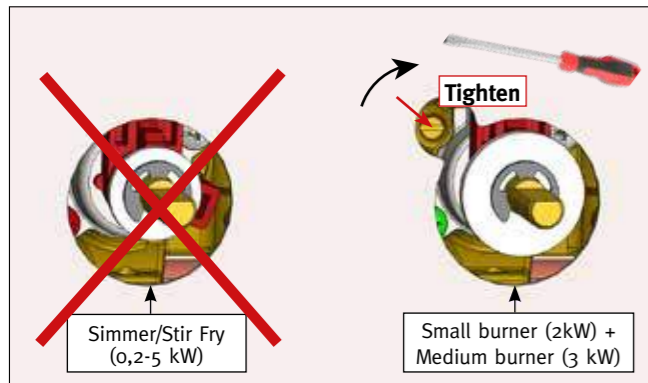
**Changing of orifice medium burner:**  
Loosen the existing orifice by turning counterclockwise. Install the new orifice by tightening clockwise.

## – Simmer/Stir Fry



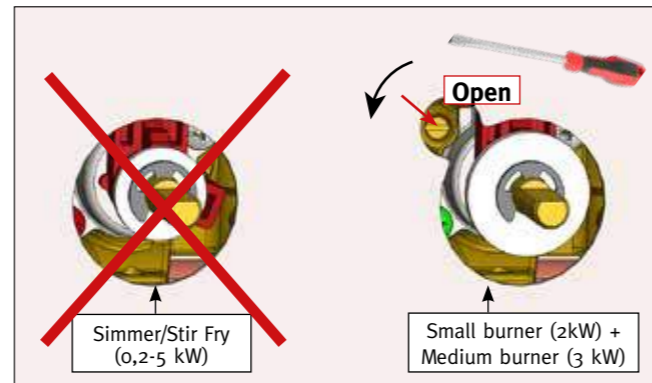
**Changing of orifice Simmer/Stir Fry burner:**  
Loosen the existing orifice by turning counterclockwise. Install the new orifice by tightening clockwise.

## – Natural Gas (NG, G20, G25) → LPG (LP, G30, G31)



Completely tighten the mounting screw of the gas valve clockwise.

## – LPG (LP, G30, G31) → Natural Gas (NG, G20, G25)



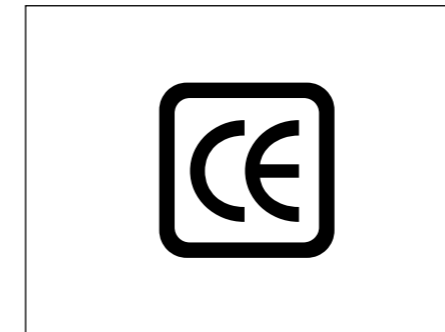
Open the mounting screw of the gas valve by 1/4 turn.

# Certifications

## – Certifications

The PITT cooking system is officially certified by the following organizations and/or seals of approval:

- CE (European Union)
- CSA (United States & Canada)
- SAI Global (Australia)
- CC-Gas (China)
- GOST-R (Russia)
- SPRING (Singapore/Asia)



# Ordering

## — How to order models with Top Side controls

Send an email to [salesorder@pittcooking.com](mailto:salesorder@pittcooking.com) with the following information about the order:

1. Name of model
2. Choice of burner material: Original, Professional or Black
3. Type of gas (default is G25/25 Natural Gas)
4. Reference

## — How to order models with Front Side controls

Send an email to [salesorder@pittcooking.com](mailto:salesorder@pittcooking.com) with the following information about the order:

1. All the correct measurements with help of the following form: “Template measurements - Front Side controls”. This form can be downloaded via the QR-code or via [pittcooking.com/downloads](http://pittcooking.com/downloads).
2. Choice of burner material: Original, Professional or Black
3. Type of gas (default is G25/25 Natural Gas)



### Delivery

- **Top Side models:** PITT cooking delivery time is normally 3 weeks from the time of placing an order.
- **Front Side models:** PITT cooking delivery time is normally 5-6 weeks from the time of placing an order.
- Different delivery times by prior agreement.

# General conditions and guarantee

## — General conditions



General conditions applicable to PITT cooking products are available via the QR-code, or via the website: [pittcooking.com/terms-and-conditions](http://pittcooking.com/terms-and-conditions) (Dutch and English).

## — Guarantee

- The terms of the guarantee are as follows:
  - a) 60 months for PITT products for household use, when the products are registered with PITT cooking as described below.
  - b) 6 months for PITT products used in a commercial setting.
  - c) Terms of guarantee are not applicable to PITT products installed outdoors.
- The term of the guarantee begins on the delivery date of the product stated on the purchase order.
- In order to validate the 60 month guarantee the buyer must register the product online at PITT cooking. The standard guarantee is for 24 months but by simply registering the product online, the consumer will enjoy an additional 36 months warranty at no charge.



### **Terms of Guarantee**

You will find the terms of the guarantee via the QR code or on the website: [pittcooking.com/downloads](http://pittcooking.com/downloads) > Users > Guarantee.

## Contact information

### PITT cooking The Netherlands

Damzigt 54  
3454 PS De Meern (Utrecht)  
The Netherlands

#### — Communication

Phone: +31(o)88 088 70 70  
General: info@pittcooking.com  
Sales: sales@pittcooking.com  
Finance: finance@pittcooking.com  
Orders: salesorder@pittcooking.com  
Service: service@pittcooking.com  
Export: export@pittcooking.com  
Marketing: marketing@pittcooking.com

#### — Additional information

KvK: 30287993  
VAT: NL820896809B01  
HS-code: 7321 11

## Downloads

### Online documentation

The documents below can also be downloaded via our website:  
[www.pittcooking.com/downloads](http://www.pittcooking.com/downloads), section “For the dealer”.

### Technical drawings per model

Technical drawings and cutout patterns specific to each model can be downloaded via the page for each model on our website. To access these, go to [www.pittcooking.com/assortment](http://www.pittcooking.com/assortment). Then select the model desired.

#### — Design and preparation



#### — Technical drawings



#### — Cutout patterns



# Downloads

## – Front Side: Measurements



## – Installation: Front Side



## – Installation: Top Side



## – Installation: Support bar



## – General conditions & guarantee



## – Changing orifices

