

NEW 5 SERIES OUTDOOR PRODUCTS





30"W. Freestanding Grill
VQGF5300
11.734 €



36"W. Freestanding Grill
VQGF5360
15.975 €



42"W. Freestanding Grill
VQGF5420
18.414 €



30"W. Built-In Grill
VQGI5300
9.977 €

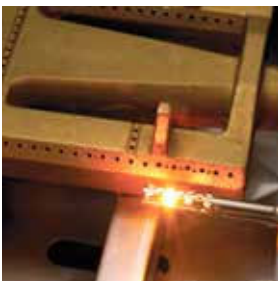


36"W. Built-In Grill
VQGI5360
10.811 €



42"W. Built-In Grill
VQGI5420
11.974 €

ALL MODELS EQUIPPED WITH PROSEAR BURNER AND ROTISSERIE



CAST BRASS BURNERS

- Lifetime Warranty
- Commercial burner design
- Rated at 25,000 BTU's each
- Heavy cast brass burners radiate heat effectively



HEAT STABILIZING DESIGN

- Wind-fin design stabilizes critical grill surface temperatures when cooking with the grill hood closed in windy conditions



RELIABLE HOT SURFACE IGNITION SYSTEM

- Ensures safe and efficient burner ignition
- Light each burner with the push of a knob
- Robust and weather resistant
- Ignition operates on 12 Volts DC
- Integral "flash-tube" alternate lighting system



HOOD ASSIST

- Heat treated stainless steel spring system
- Makes opening the commercial-grade hood effortless and safe
- Easy to remove and replace
- Reduces 90% of hood weight



CERAMIC RADIANT BRIQUETTES

- High-density ceramic provides even heat across the entire grilling surface
- Reduces flare-ups by keeping grease and oil away from the direct flame
- Enhances food's flavor as drippings hit the briquettes and turn to smoke
- Briquettes are clipped in place for easy reversible cleaning



ROTISSERIE SYSTEM

- 3-speed motor rated for 55 lbs.
- 2 roasting positions
- 14,000 to 16,000 BTU infrared rear burner
- Stainless steel roller bearings
- Drip pan included



54"W. Freestanding Grill

VQGFS5540

23.159 €



54"W. Built-In Grill

VQGI5540

15.046 €



CONTROL KNOB ILLUMINATION WITH BLUE LED LIGHTS

- Each knob features dedicated LED lighting
- Knob markings can easily be viewed at night
- Single switch activation for blue LED's and internal halogen lights



TEMPERATURE GAUGE

- Indicates when your grill is ready for cooking
- Large and easy to read
- Temperature reading is for convected heat, add 200° for surface grate temperature



INTERNAL HALOGEN GRILL SURFACE LIGHT

- Brightly illuminates entire grilling surface using heavy-duty Pyrex® glass lens directly over grilling surface
- 10 watt halogen light
- 36", 42" and 54" Grills feature two lights

Grill Features

GRILLING SURFACE AREA

- Viking grills have an extended depth for more primary grilling space*
- 30" Grills - 840 square inches (600 primary / 240 secondary)
- 36" Grills - 935 square inches (640 primary / 295 secondary)
- 42" Grills - 1,200 square inches (855 primary / 345 secondary)
- 54" Grills - 1,555 square inches (1,110 primary / 445 secondary)
- *NOTE: 30", 42" and 54" grill depth = 21" / 36" grill depth = 19"

FREESTANDING GRILL CART FEATURES

- Grill head is welded to cart to insure strength and rigidity
- Commercial casters with 360 degrees maneuverability make these units easy to move / 6 casters on 42" and 54" grills
- Fold-down shelves
- Heavy duty swing-out cart doors 11.974 €
- Doors include condiment shelves that are removable for easy cleaning
- 42" & 54" grill carts feature two pull out utility storage drawers
- Optional sliding LP tank tray

ELEGANT FIT AND FINISH

- Heavy 16 gauge stainless construction
- Continuously welded smooth joints for quality, strength, and beauty
- Finished seams with finely polished mirrored edges

REMOVABLE LARGE CAPACITY SMOKER BOX INCLUDED

- Used with wood chips or smoker pellets
- Sets directly on grates over any burner
- Smoking is most effective in first 20 minutes of slow cooking
- Made of heavy gauge 304 stainless steel
- Unique handle and interlock mechanism is designed to allow quick removal or refilling

Outdoor Companion Products



Not available in CE label

13"W. DOUBLE SIDE BURNERS VQGSB5130

- Two 15,000 BTU brass burners capable of delivering intense high heat and a low simmer
- Burners and burner basin are sealed and easy to clean
- Hot surface ignition system
- Control illumination with blue LEDs
- Stainless steel cover protects the burner(s) when not in use
- Heavy-duty welded construction eliminates gaps where grease and moisture can collect



Not available in CE label

20"W. POWER BURNER VQGPB5200

- Dual-ring cast brass burner
- Maximum heat control (3,000 BTU up to 46,000 BTU)
- Large stainless steel grate surface accommodates an oversized stockpot
- Removable center grate allows use of a commercial-style wok
- Hot surface ignition system
- Control illumination with blue LEDs
- Fully extendable drip pan
- Removable stainless steel cover protects the unit when not in use



Not available in CE label

OUTDOOR 30"W. WARMING DRAWER VQEWD5300

- Temperature settings from 90° to 220° offer the flexibility needed to keep breads warm or poultry piping hot
- Equipped with two removable steam pans, lids and steam racks
- Moist and crisp settings allow you to keep food at the desired texture
- Concealed heating element allows you to use the drawer as a towel or robe warmer
- "On" indicator light reminds you that the drawer is on
- Weather resistant stainless steel construction and polished highlights



Not available in CE label

OUTDOOR 42"W. CONVENIENCE CENTER WITH 30"W. WARMING DRAWER VQEWD5420

- Warming drawer, LP Tank Storage Cabinet and Utility Drawer in one convenient unit
- Sliding LP tank tray for safe and easy LP tank access
- Full width and depth utility drawer accommodates oversized grill tools, towels and condiments
- Temperature settings from 90° to 220° offer the flexibility needed to keep breads warm or poultry piping hot
- Warmer drawer is equipped with two removable steam pans, lids and steam racks
- Moist and crisp settings allow you to keep food at the desired texture
- Concealed heating element allows you to use the warming drawer as a towel or robe warmer
- "On" indicator light reminds you that the drawer is on
- Weather resistant stainless steel construction and polished highlights

Optional Accessories

- 18" and 24" Access Doors (VOADS5180/5240)
- 30", 36", and 42" Double Access Doors (VOADD5300/5360/5420)
- 19" Double Drawers (VODRD5190)
- 30", 36", and 42" Double Drawer and Access (VOADDR5300/5360/5420)
- 30", 36", 42", and 54" Insulated Jackets (VIJ5300/5360/5420/5540)
- 30", 36", 42", and 54" Grill Covers for both Freestanding and Built-in Grills

Specifications

GRILLS

| MODEL | A | B | C |
|----------|-------|-------|-------|
| VQGI5300 | 29.00 | 10.88 | 24.50 |
| VQGI5360 | 35.00 | 10.13 | 22.00 |
| VQGI5420 | 41.00 | 10.88 | 24.50 |
| VQGI5540 | 53.00 | 10.88 | 24.50 |

WITH INSULATED JACKET INSTALLED

| MODEL | A | B | C |
|---------|-------|-------|-------|
| VIJ5300 | 36.00 | 11.63 | 26.50 |
| VIJ5360 | 42.00 | 11.63 | 24.00 |
| VIJ5420 | 48.00 | 11.63 | 26.50 |
| VIJ5540 | 60.00 | 11.63 | 26.50 |

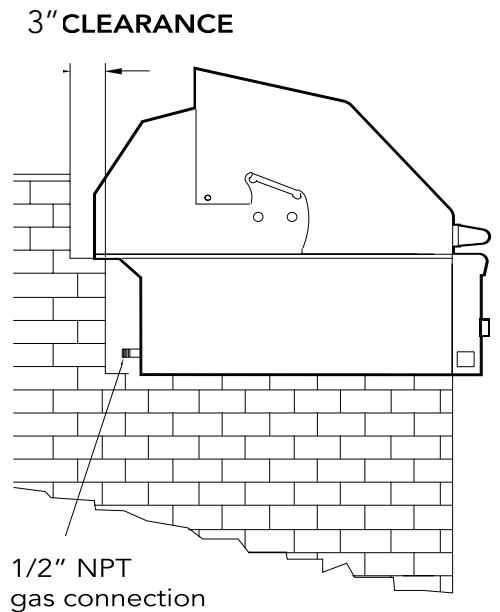
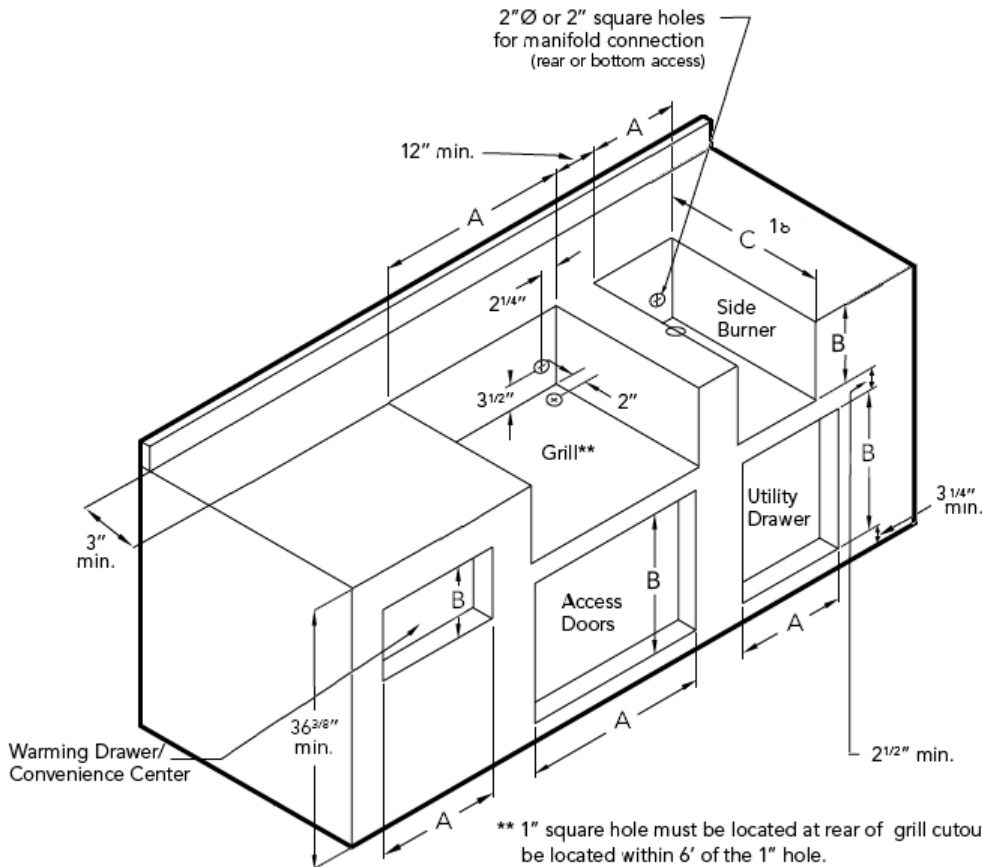
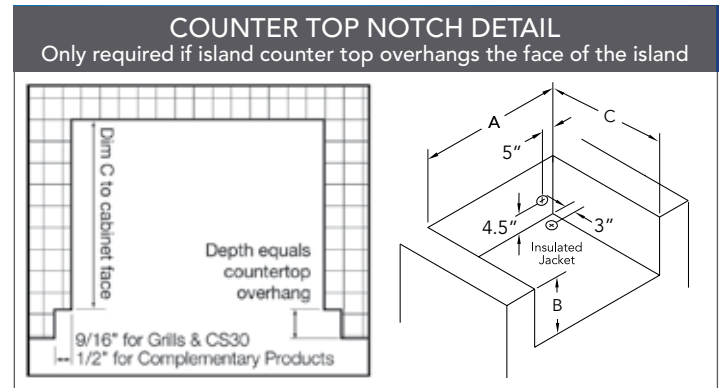
COMPANION PRODUCTS

SIDE BURNERS

| MODEL | A | B | C |
|-----------|-------|-------|-------|
| VQGSB5130 | 12.13 | 10.63 | 24.50 |
| VQGPB5200 | 19.00 | 10.63 | 22.00 |

WARMING DRAWERS

| MODEL | A | B | C |
|-----------|-------|-------|-------|
| VQEWD5300 | 28.50 | 10.00 | 20.50 |
| VQEWD5420 | 40.25 | 19.38 | 24.50 |





For detailed product information, model numbers, or to request a quote call 1-888-845-4641 or visit vikingrange.com

Viking Range, LLC products are sold under the Brigade brand exclusively in Canada.